

Service
Service
Service



Service Manual

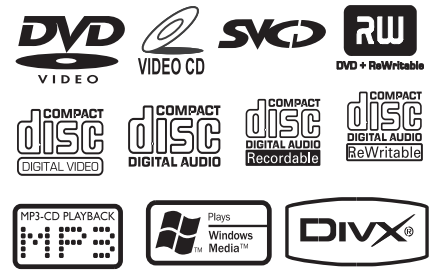


TABLE OF CONTENTS

Handling chip components 1-1
 Leadfree and safety information 1-2

Technical specification 2-1
 Service tools 2-1
 Service measurement setup 2-2

Connections and controls 3-1...3-5

Software version check and upgrading 4-1

Block diagram 5-1
 Wiring diagram 6-1

VFD Board
 circuit diagram 7-1
 layout diagram 7-2

Tuner Board
 circuit diagram 8-1
 layout diagram 8-2

AMP Board
 circuit diagram 9-1...9-2
 layout diagram 9-3

CPU Board
 circuit diagram 10-1
 layout diagram 10-2...10-3

Power Board
 circuit diagram 11-1
 layout diagram 11-2

DVD MPEG Board
 circuit diagram 12-1...12-3
 layout diagram 12-4

Exploded view diagram 13-1

Partslist 14-1...14-6

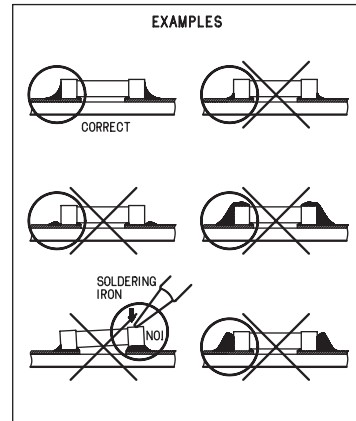
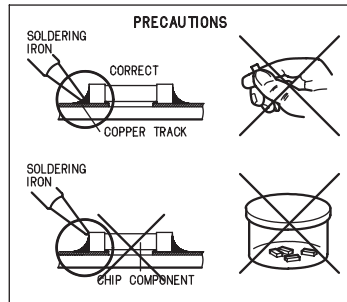
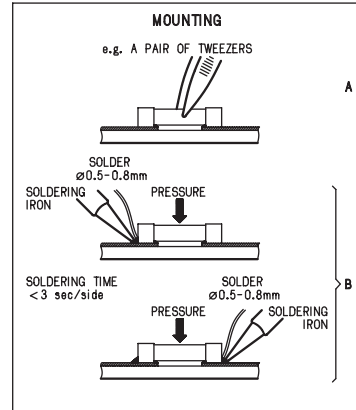
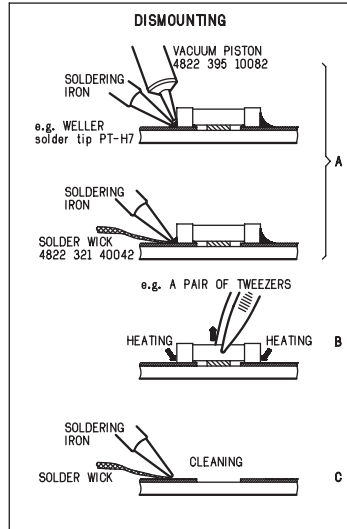
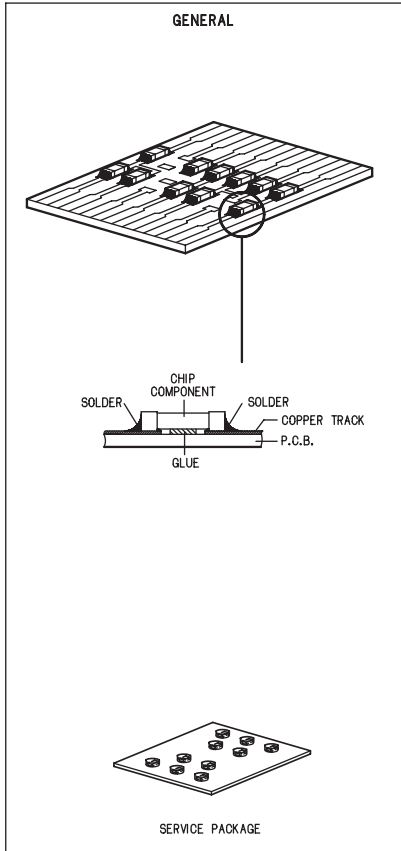
Disassembly diagram 15-1

Version list 16-1

© Copyright 2007 Philips Consumer Electronics B.V. Eindhoven, The Netherlands
 All rights reserved. No part of this publication may be reproduced, stored in a retrieval system or transmitted, in any form or by any means, electronic, mechanical, photocopying, or otherwise without the prior permission of Philips.



HANDLING CHIP COMPONENTS



GB WARNING

All ICs and many other semiconductors are susceptible to electrostatic discharges (ESD). Careless handling during repair can reduce life drastically. When repairing, make sure that you are connected with the same potential as the mass of the set via a wristband with resistance. Keep components and tools at this potential.

ESD



NL WAARSCHUWING

Alle IC's en vele andere halfgeleiders zijn gevoelig voor electrostatische ontladingen (ESD). Onzorgvuldig behandelen tijdens reparatie kan de levensduur drastisch doen verminderen. Zorg ervoor dat u tijdens reparatie via een polsband met weerstand verbonden bent met hetzelfde potentiaal als de massa van het apparaat. Houd componenten en hulpmiddelen ook op ditzelfde potentiaal.

F ATTENTION

Tous les IC et beaucoup d'autres semi-conducteurs sont sensibles aux décharges statiques (ESD). Leur longévité pourrait être considérablement écourtée par le fait qu'aucune précaution n'est prise à leur manipulation. Lors de réparations, s'assurer de bien être relié au même potentiel que la masse de l'appareil et enfilez le braceleterti d'une résistance de sécurité. Veiller à ce que les composants ainsi que les outils que l'on utilise soient également à ce potentiel.

D WARNUNG

Alle ICs und viele andere Halbleiter sind empfindlich gegenüber elektrostatischen Entladungen (ESD). Unvorsichtige Behandlung im Reparaturfall kann die Lebensdauer drastisch reduzieren. Sorgen Sie dafür, daß Sie im Reparaturfall über ein Pulsarmband mit Widerstand mit dem Massepotential des Gerätes verbunden sind. Halten Sie Bauteile und Hilfsmittel ebenfalls auf diesem Potential.

I AVVERTIMENTO

Tutti IC e parecchi semi-conduttori sono sensibili alle scariche statiche (ESD). La loro longevità potrebbe essere fortemente ridatta in caso di non osservazione della più grande cauzione alla loro manipolazione. Durante le riparazioni occorre quindi essere collegato allo stesso potenziale che quello della massa del'apparecchio tramite un braccialetto a resistenza. Assicurarsi che i componenti e anche gli utensili con quali si lavora siano anche a questo potenziale.

GB

Safety regulations require that the set be restored to its original condition and that parts which are identical with those specified be used. Safety components are marked by the symbol

SAFETY



NL

Veiligheidsbepalingen vereisen, dat het apparaat in zijn oorspronkelijke toestand wordt teruggebracht en dat onderdelen, identiek aan de gespecificeerde, worden toegepast. De Veiligheidsonderdelen zijn aangeduid met het symbool

F

Les normes de sécurité exigent que l'appareil soit remis à l'état d'origine et que soient utilisées les pièces de rechange identiques à celles spécifiées. Les composants de sécurité sont marqués

D

Bei jeder Reparatur sind die geltenden Sicherheitsvorschriften zu beachten. Der Originalzustand des Gerätes darf nicht verändert werden. Für Reparaturen sind Originalersatzteile zu verwenden. Sicherheitsbauteile sind durch das Symbol markiert.

I

Le norme di sicurezza estigono che l'apparecchio venga rimesso nelle condizioni originali e che siano utilizzati i pezzi di ricambiaggio identici a quelli specificati. Componenti di sicurezza sono marcati con

GB

DANGER: Invisible laser radiation when open. AVOID DIRECT EXPOSURE TO BEAM.



GB

After servicing and before returning the set to customer perform a leakage current measurement test from all exposed metal parts to earth ground, to assure no shock hazard exists. The leakage current must not exceed 0.5mA.

S Varning!

Osynlig laserstrålning när apparaten är öppnad och spårren är urkopplad. Betrakta ej strålen.

DK Advarsel!

Uosynlig laserstrålning ved åbning når sikkerhedsafbrydere er ude af funktion. Undgå udsættelse for strålning.

FIN Varoitus!

Avatussa laitteessa ja suojalukituksen ohitettaessa olet alttiina näkyvättömälle laserisäteilylle. Älä katso säteeseen!

F

"Pour votre sécurité, ces documents doivent être utilisés par des spécialistes agréés, seuls habilités à réparer votre appareil en panne".

INFORMATION ABOUT LEAD-FREE SOLDERING

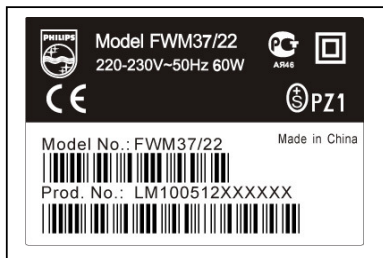
Philips CE is producing lead-free sets from 1.1.2005 onwards.

IDENTIFICATION:

Regardless of special logo (not always indicated) one must treat all sets from 1 Jan 2005 onwards, according next rules:



Example S/N:



Bottom line of typeplate gives a 14-digit S/N. Digit 5&6 is the year, digit 7&8 is the week number, so in this case 2005 wk12

So from 0501 onwards = from 1 Jan 2005 onwards

Important note: In fact also products of year 2004 must be treated in this way as long as you avoid mixing solder-alloys (lead-ed/ lead-free). So best to always use SAC305 and the higher temperatures belong to this.

Due to lead-free technology some rules have to be respected by the workshop during a repair:

- Use only lead-free solder alloy Philips SAC305 with order code 0622 149 00106. If lead-free solder-paste is required, please contact the manufacturer of your solder-equipment. In general use of solder-paste within workshops should be avoided because paste is not easy to store and to handle.
- Use only adequate solder tools applicable for lead-free solder alloy. The solder tool must be able
 - To reach at least a solder-temperature of 400°C,
 - To stabilize the adjusted temperature at the solder-tip
 - To exchange solder-tips for different applications.
- Adjust your solder tool so that a temperature around 360°C – 380°C is reached and stabilized at the solder joint. Heating-time of the solder-joint should not exceed ~ 4 sec. Avoid temperatures above 400°C otherwise wear-out of tips will rise drastically and flux-fluid will be destroyed. To avoid wear-out of tips switch off un-used equipment, or reduce heat.
- Mix of lead-free solder alloy / parts with leaded solder alloy / parts is possible but PHILIPS recommends strongly to avoid mixed solder alloy types (leaded and lead-free).
If one cannot avoid or does not know whether product is lead-free, clean carefully the solder-joint from old solder alloy and re-solder with new solder alloy (SAC305).
- Use only original spare-parts listed in the Service-Manuals. Not listed standard-material (commodities) has to be purchased at external companies.
- Special information for BGA-ICs:
 - always use the 12nc-recognizable soldering temperature profile of the specific BGA (for de-soldering always use the lead-free temperature profile, in case of doubt)
 - lead free BGA-ICs will be delivered in so-called 'dry-packaging' (sealed pack including a silica gel pack) to protect the IC against moisture. After opening, dependent of MSL-level seen on indicator-label in the bag, the BGA-IC possibly still has to be baked dry. (MSL=Moisture Sensitivity Level). This will be communicated via AYS-website. Do not re-use BGAs at all.
- For sets produced before 1.1.2005 (except products of 2004), containing leaded solder-alloy and components, all needed spare-parts will be available till the end of the service-period. For repair of such sets nothing changes.
- On our website www.atyourservice.ce.Philips.com you find more information to:
 - BGA-de-/soldering (+ baking instructions)
 - Heating-profiles of BGAs and other ICs used in Philips-sets

You will find this and more technical information within the "magazine", chapter "workshop news".

For additional questions please contact your local repair-helpdesk.

SERVICE INSTRUCTION

Safety regulations require that after a repair, the set must be returned in its original condition. Pay in particular attention to the following points:

- Route the wire trees correctly and fix them with the mounted cable clamps.
- Check the insulation of the AC Power lead for external damage.
- Check the strain relief of the AC Power cord for proper function.
- Check the electrical DC resistance between the AC Power Plug and the secondary side (only for sets which have a AC Power isolated power supply):
 1. Unplug the AC Power cord and connect a wire between the two pins of the AC Power plug.
 2. Set the AC Power switch to the "on" position (keep the AC Power cord unplugged!).
 3. Measure the resistance value between the pins of the AC Power plug and the metal shielding of the tuner or the aerial connection on the set. The reading should be larger than 4.5 Mohm (For U.S. it should be between 4.2 Mohm and 12 Mohm).
 4. Switch "off" the set, and remove the wire between the two pins of the AC Power plug.
- Check the cabinet for defects, to avoid touching of any inner parts by the customer.

TECHNICAL SPECIFICATIONS

SYSTEM

Power supply -/93	220V / 50 Hz
Power supply -/98	110 – 127 / 220 – 240 V; 50/60 Hz Switchable
Rated working power consumption (1/8 rated output power)	≤ 70W
AUX input sensitivity	≤ 350mV
Channel Separation	≥ 40dB
Distortion	0.7%

DVD

Frequency response	100Hz-20kHz (+0.5/-2 dB)
Video output	1 V _{p-p}
Horizontal definition	500 (TV)
Dimensions	240 (W) × 75 (H) × 230 (D) mm
Weight	1.87 kg

AMPLIFIER

Rated output power (THD = 10%)	2×25W (8 Ω)
Frequency response	100Hz-20kHz (+0.5/-2 dB)
S/N Ratio	≥ 60dB
Loaded impedance	8 Ω
Dimensions	240 (W) × 75 (H) × 230 (D) mm
Weight	3.47 kg

TUNER

FM Frequency range	87.5-108 MHz
FM Noise limit sensitivity	≤ 20μ V/M
FM S/N	≥ 46dB
MW wave range	531 – 1602 kHz
MW Noise limit sensitivity	≤ 3.0μ V/m
MW S/N	≥ 40dB

SPEAKER

Front Speakers

Impedance	8 Ω
Input power	35W
Sensitivity	80 ± 4dB
Frequency response	80Hz-16kHz
Dimensions .	145 (W) × 230 (H) × 218 (D) mm
Weight	2.4 kg each

Subwoofer

Subwoofer (not magnetically shielded design)....	6.5"
Impedance	8 Ω
Input power	50W
Dimensions (w × h × d)	180 mm × 280 mm × 330 mm
Weight	4.4 kg

REMOTE

Distance	6m
Angle	± 30°

Specifications subject to change without prior notice

SERVICE TOOLS

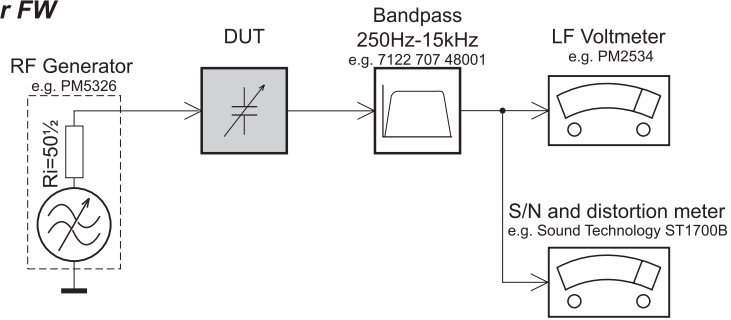
TORX T10 screwdriver with shaftlength 150mm.....	4822 395 50423
TORX screwdriver set SBC 163.....	4822 295 50145
Audio signal disc SBC 429.....	4822 397 30184
Playability test disc SBC 444.....	4822 397 30245
Test disc 5 (disc without errors) +	
Test disc 5A (disc with dropout errors, black spots and fingerprints)	
SBC 426/426A.....	4822 397 30096
Burn in test disc (65 min. 1kHz signal at -30 dB level without "pause").....	4822 397 30155
Universal test cassette Fe SBC 420	4822 397 30071

AVAILABLE ESD PROTECTION EQUIPMENT

anti-static table mat large 1200x650x1.25mm	4822 466 10953
small 600x650x1.25mm	4822 466 10958
anti-static wristband	4822 395 10223
connection box (3 press stud connections, 1MΩ)	4822 320 11307
extendible cable (2m, 2MΩ, to connect wristband to connection box)	4822 320 11305
connecting cable (3m, 2MΩ, to connect table mat to connection box)	4822 320 11306
earth cable (1MΩ, to connect any product to mat or to connection box)	4822 320 11308
KIT ESD3 (combining all 6 prior products - small table mat)	4822 310 10671
wristband tester	4822 344 13999

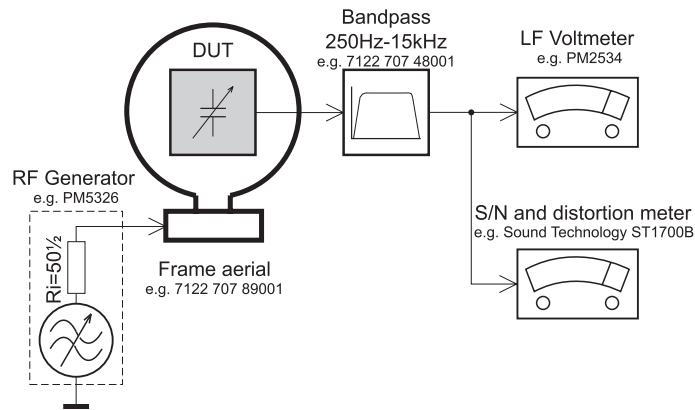
SERVICE MEASUREMENT

Tuner FW



Use a bandpass filter to eliminate hum (50Hz, 100Hz) and disturbance from the pilotone (19kHz, 38kHz).

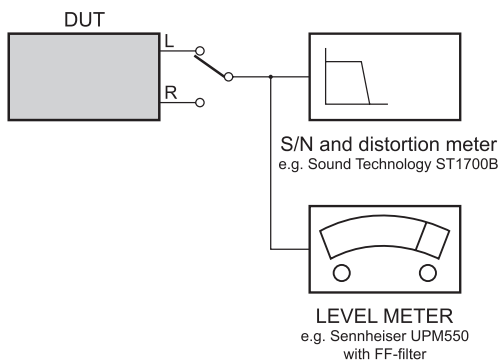
Tuner AM (MW,LW)



To avoid atmospheric interference all AM-measurements have to be carried out in a Faraday«s cage.
Use a bandpass filter (or at least a high pass filter with 250kHz) to eliminate hum (50Hz, 100Hz).

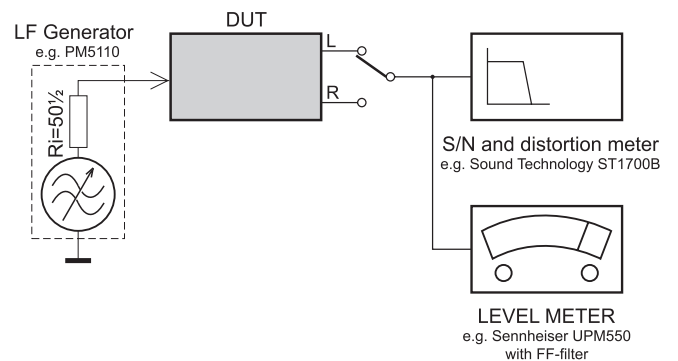
CD

Use Audio Signal Disc SBC429 4822 397 30184
(replaces test disc 3)

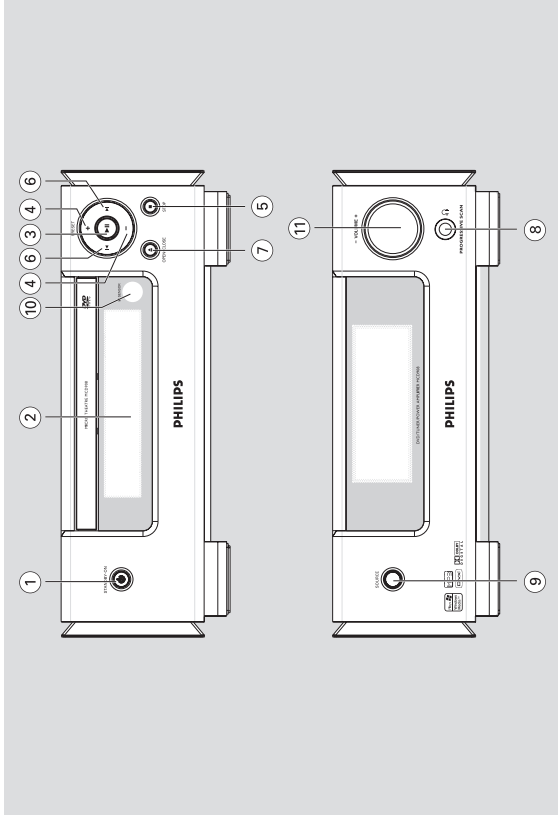


RECORDER

Use Universal Test Cassette Fe SBC420 4822 397 30071



Functional Overview



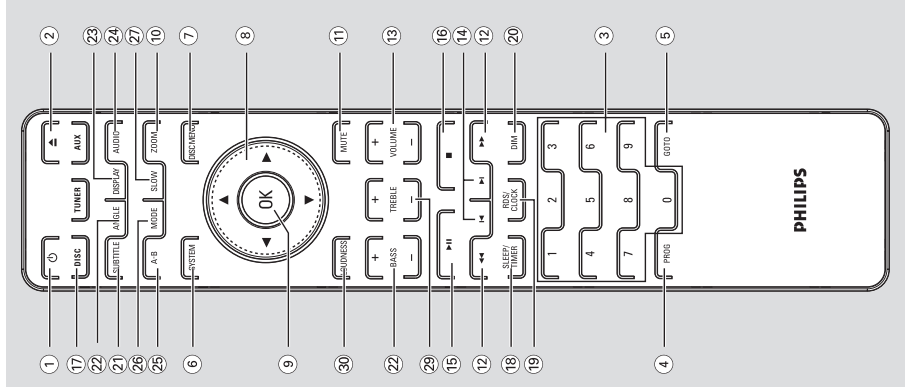
DVD player and power amplifier

- 1 **STANDBY-ON** ϕ
 - switches the system on or to standby mode.
- 2 **Display**
 - shows the current status of the DVD player.
- 3 **II**
 - starts or interrupts disc playback.
- 4 **PRESET +/-**
 - in tuner mode, selects a preset radio station.
- 5 **STOP** ■
 - stops disc playback or erases a program.
 - in Demo mode (on the system only), activates/deactivates the demonstration.
- 6 **◀▶**
 - skips to the previous/next chapter/title/track.
- Tuner:**
 - tunes to a higher/lower radio frequency.
 - press and hold, then release the key to start automatic search for a radio frequency downward/upward.

Functional Overview

Remote control

- 1 ϕ
 - switches the system on or to standby mode.
- 2 \equiv
 - opens or closes the disc compartment
- 3 **Numeric Keypad (0-9)**
 - inputs a track/title/chapter number of the disc.

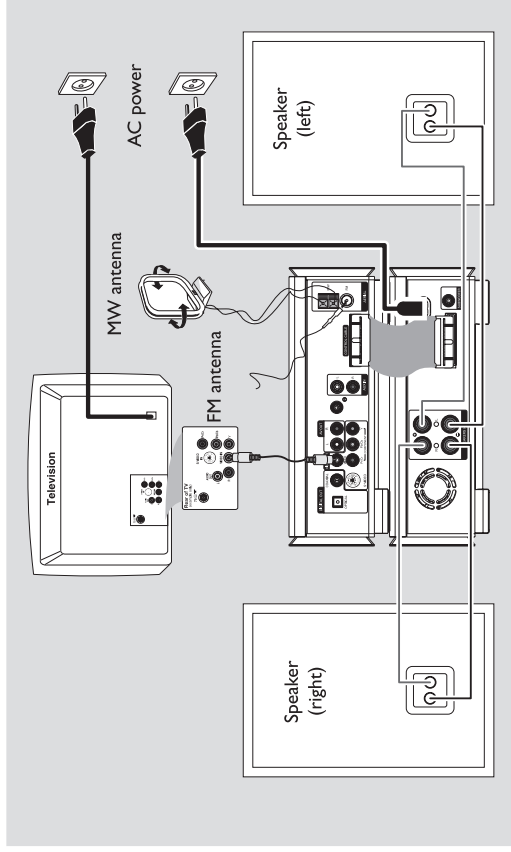


- 4 **PROG**
 - DVD/WCD/CD: enters the program menu.
 - MP3/WMA-CD: adds/deletes a programmed track to/from the program list.
 - Picture CD: during playback, to select a slide show mode.
 - Tuner: programs preset radio stations.
- 5 **GOTO**
 - Disc: fast searches in a disc by entering a time, title, chapter or track.
- 6 **SYSTEM (disc mode only)**
 - enters or exits the system menu.
- 7 **DISC MENU (disc mode only)**
 - DVD/WCD: enters or exits the disc contents menu.
 - VCD2.0: switches the playback control mode on or off.
 - MP3/WMA: switches between Album and Filelist.
- 8 **▼ / ▲ / ▶ / ◀**
 - selects an item in a menu.
 - moves an enlarged picture up/down/left/right.
- 9 **OK**
 - confirms a selection.
- 10 **ZOOM**
 - DVD/WCD/Picture CD: enlarges or reduces a picture or active image on the TV screen.
- 11 **MUTE**
 - disables or enables sound output.
- 12 **◀◀ / ▶▶**
 - **Tuner**
 - press to tune to a lower/higher radio frequency gradually.
 - press and hold, then release the key to start automatic search for a radio frequency downward/upward.
 - **Disc**
 - searches backward/forward in a disc at different speeds.

Functional Overview

- ⑬ **VOLUME +/-**
 - adjusts the volume upward/downward.
 - adjusts the hours and minutes in clock/timer setting mode.
 - switches the set timer ON or OFF.
 - ⑭ ◀ / ▶
 - Disc: skips to the previous/next chapter/title/track
 - Tuner: selects a preset radio station.
 - ⑮ ▶ ||
 - starts or interrupts disc playback.
 - ⑯ ■
 - stops disc playback or erases a program.
 - ⑰ **DISC/TUNER/AUX**
 - selects the respective sound source for DVD/AUX/TUNER (FM/MW).
 - For tuner (TUNER): press to switch between MW and FM
 - exits P-SCAN (progressive scan). (Only for DISC)
 - ⑱ **SLEEP/TIMER**
 - **Standby mode**
 - sets time for switching on the system automatically.
 - **Power-on mode**
 - sets the sleep timer function (auto off).
 - ⑲ **RDS/CLOCK (RDS function unavailable for this version)**
 - **Standby mode**
 - sets the system clock.
 - **Playback mode**
 - displays the system clock.
 - ⑳ **DIM**
 - selects different levels of brightness for the display screen.
 - ㉑ **SUBTITLE**
 - selects a subtitle language.
 - ㉒ **ANGLE**
 - selects a DVD camera angle.
 - ㉓ **DISPLAY**
 - displays information on TV screen during playback
-
- ⑳ **AUDIO** for VCD/DivX
 - sets Stereo, Mono-Left or Mono-Right sound mode.
 - ㉑ **A-B**
 - selects an audio language.
 - repeats playback of a specific section on a disc.
 - ㉒ **MODE**
 - selects various repeat modes or the shuffle play mode for a disc.
 - ㉓ **SLOW**
 - selects different slow playback modes for a DivX/VCD/SVCD/DVD.
 - ㉔ **BASS +/-**
 - to adjust the bass boost level.
 - ㉕ **TREBLE +/-**
 - to adjust the treble (high tone) level.
 - ㉖ **LOUDNESS**
 - enables or disables automatic loudness adjustment.
-
- Notes for remote control:**
- First, select the source you wish to control by pressing one of the source select keys on the remote control (DISC or TUNER, for example).
 - Then select the desired function (▶ ||, ◀, ▶ | for example).

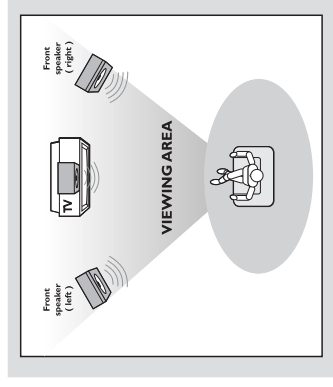
Connections



IMPORTANT!

- The type plate is located at the bottom of the system.
- Before connecting the AC power cord to the wall outlet, ensure that all other connections have been made.
- Never make or change any connections with the power switched on.

Step 1: Placing the speakers



- Place the front left and right speakers at equal distances from the TV set and at an angle of approximately 45 degrees from the listening position.

Notes:

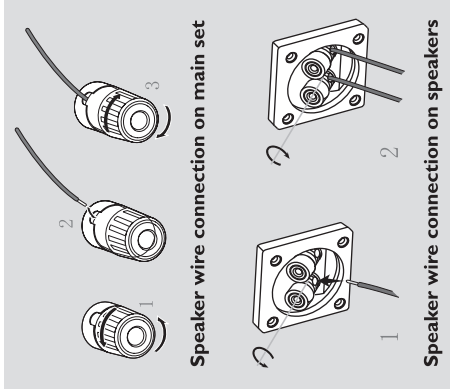
- To avoid magnetic interference, do not position the front speakers too close to your TV set.
- Allow adequate ventilation around the DVD System.

CONNECTION AND CONTROLS

Connections

Step 2: Connecting speakers

- Connect the left and right speakers to the SPEAKERS (4?) terminals on the back of the power amplifier with the supplied speaker cables. Right speaker to "R" and left speaker to "L"; red wire to "+" and silver wire to "-". Fully insert the stripped portion of the speaker wire into the terminal as shown.



Speaker wire connection on main set

Speaker wire connection on speakers

- Notes:
- Ensure that the speaker cables are correctly connected. Improper connections may damage the system due to short-circuit.
 - For optimal sound performance, use the supplied speakers.
 - Do not connect more than one speaker to any one pair of +/- speaker jacks.
 - Do not connect speakers with an impedance lower than the speakers supplied. Please refer to the SPECIFICATIONS section of this manual.

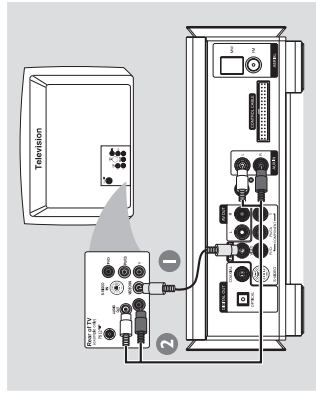
Step 3: Connecting the control cable

- Connect the serial port marked "CONTROL CABLE" at the rear of the DVD player to the same port at the rear of the power amplifier with the supplied flat control cable.

Step 4: Connecting TV

- IMPORTANT!**
- You only need to make one video connection from the following options, depending on the capabilities of your TV.
 - Connect the DVD system directly to the TV.

Using Composite Video Jack

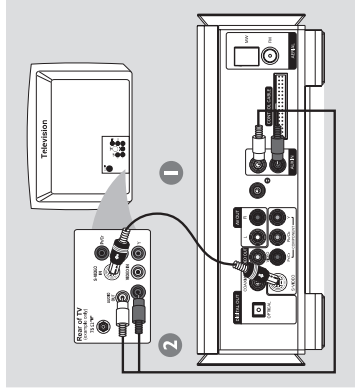


- Use the composite video cable (yellow) to connect the system's **VIDEO OUT** jack to the video input jack (or labelled as AV In, Video In, Composite or Baseband) on the TV set.
- To hear the TV channels through this DVD system, use the audio cables (white/red-not supplied) to connect **AUX IN L/R** jacks to the corresponding AUDIO OUT jacks on the TV.

Connections

Using S-Video Jack

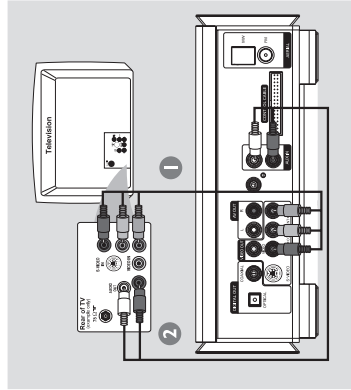
- IMPORTANT!**
- If S-Video is used for DVD playback connection, the system's **VIDEO OUT** setting will need to be changed accordingly.



- Use an S-Video cable (not supplied) to connect the DVD system's **S-VIDEO** jack to the S-Video input jack (or labeled as Y/C or S-VHS) on the TV.
- To hear the TV channels through this DVD system, use the audio cables (white/red-not supplied) to connect **AUX IN L/R** jacks to the corresponding AUDIO OUT jacks on the TV.

Using Component Video Jacks (Y Pb Pr)

- IMPORTANT!**
- The progressive scan video quality is only possible when using Y Pb Pr, and a progressive scan TV is required.



- Use component video cables (red/blue/green - not supplied) to connect the DVD system's **COMPONENT (Pr/Cr/Pb/Cb Y)** jacks to the corresponding Component video input jacks (or labeled as Y Pb/Cb Pr/Cr or YUV) on the TV.
- To hear the TV channels through this DVD system, use the audio cables (white/red-not supplied) to connect **AUX IN L/R** jacks to the corresponding AUDIO OUT jacks on the TV.
- If you are using a Progressive Scan TV (TV must indicate Progressive Scan or ProScan capability), to activate TV Progressive Scan, please refer to your TV user manual. For DVD system Progressive Scan function, see "Getting Started-Setting up Progressive Scan feature".

Note:

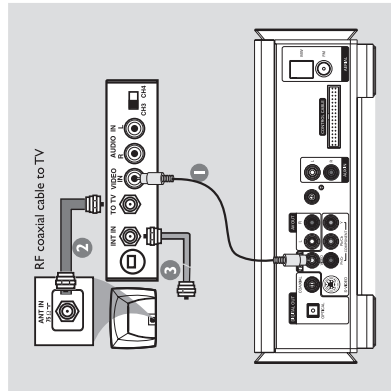
- If your TV does not support Progressive Scan, you will not be able to view the picture. Press **SYSTEM** on the remote to exit the system menu and then **DISC** and "1" to exit progressive scan.

Connections

Using an accessory RF modulator

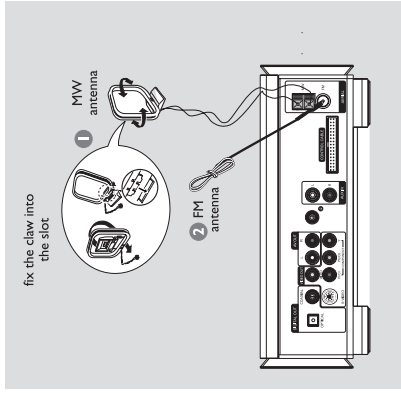
IMPORTANT!

- If your TV only has a single Antenna In jack (labeled as 75 ohm or RF In), you will need an RF modulator in order to view DVD playback on the TV. See your electronics retailer or contact Philips for details on RF modulator availability and operations.

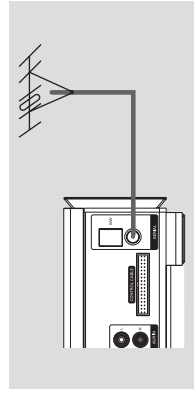


- 1 Use the composite video cable (yellow) to connect the DVD system's VIDEO jack to the video input jack on the RF modulator.
- 2 Use an RF coaxial cable (not supplied) to connect ANTENNA OUT or TO TV jack on the RF modulator to the Antenna IN jack on the TV.
- 3 Connect the Antenna or Cable TV service signal to the ANTENNA IN or RF IN jack on the RF modulator. (It may have been connected to your TV previously. Disconnect it from the TV.)

Step 5: Connecting FM/MW antennas



- 1 Connect the supplied MW loop antenna to the MW jack. Place the MW loop antenna on a shelf or attach to a stand or wall.
 - 2 Connect the supplied FM antenna to the FM (75 ?) jack. Extend the FM antenna and fix its end to the wall.
- For better FM stereo reception, connect an external FM antenna (not supplied).



- Note:
- Adjust the position of the antennas for optimal reception.
 - Position the antennas as far as possible from your TV, VCR or other radiation source to prevent unwanted interference.

Connections

Viewing and listening to the playback of other equipment (A)

- Connect the system's AUX IN L/R jacks to the AUDIO OUT jacks on the other audio/visual device (such as a TV, VCR, Laser Disc player or cassette deck). Before starting operation, press SOURCE on the front panel to select AUX or press AUX on the remote in order to activate the input source.

- **Using the VCR for recording DVDs (B)**
Connect one of the system's VIDEO jack to the corresponding VIDEO IN jack and AUDIO OUT L/R jacks to the AUDIO IN jacks on the VCR. This will allow you to make analogue stereo (two channel, right and left) recordings.

- **Recording (digital) (C)**
Connect the system's COAXIAL or OPTICAL jack to the DIGITAL IN jack on a digital recording device. Before starting operation, set the DIGITAL OUT according to the audio connection. (See "DIGITAL OUT".)

- **Connecting an active subwoofer (D)**
Connect the DVD micro system's SUBWOOFER OUT jack to the AUDIO INPUT jack on an active subwoofer (not supplied).

Step 6: Connecting the power cord

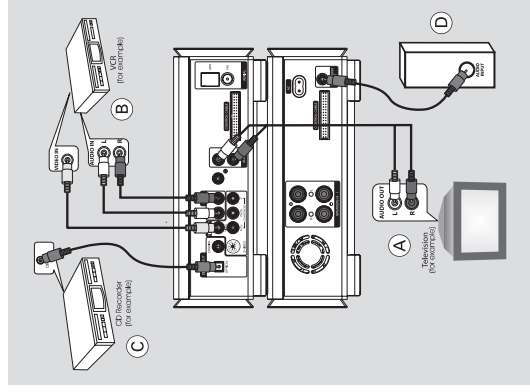
After everything is connected properly, plug in the AC power cord to the power outlet.

Never make or change any connection with the power switched on.

Additional: Connecting additional equipment

IMPORTANT!

- Some discs are copy-protected. You cannot record the disc through a VCR or digital recording device.
- When making connections, make sure the colour of cables matches the colour of jacks.
- Always refer to the owner's manual of the other equipment for complete connection and usage details.



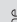

CONNECTION AND CONTROLS

Troubleshooting

WARNING

Under no circumstances should you try to repair the system yourself, as this will invalidate the warranty. Do not open the system as there is a risk of electric shock.

If a fault occurs, first check the points listed below before taking the system for repair. If you are unable to remedy a problem by following these hints, consult your dealer or Philips for help.

Problem	Solution
No power.	<ul style="list-style-type: none"> ✓ Check if the AC power cord is properly connected. ✓ Press STANDBY-ON  on the top of the DVD micro system or  on the remote to turn on the power. ✓ Check if the TV is switched on. ✓ Check the video connection. ✓ Press SOURCE on the top of the DVD player repeatedly to select "DVD" or press DISC on the remote. ✓ Set your TV to the correct Video In channel. This channel is usually near channel 00. Or, you may have a button on the TV remote control that selects Auxiliary or AV IN channel. See your TV owner's manual for details. Or, change channels at the TV until you see DVD screen on the TV. ✓ If the progressive scan feature is activated but the connected TV does not support progressive signals or the cables are not connected accordingly, see "Getting started-Setting up Progressive Scan feature" for proper progressive scan setup or deactivate the progressive scan feature as below: <ol style="list-style-type: none"> 1) Turn off your TV progressive scan mode or turn on to interlaced mode. 2) Press SYSTEM on the remote to exit the system menu and then DISC and "1" to exit progressive scan.
No picture.	<ul style="list-style-type: none"> ✓ Sometimes a small amount of picture distortion may appear. This is not a malfunction. ✓ Clean the disc. ✓ TV has a colour system standard. If the disc's or DVD system's colour system is different than your TV's colour system, the picture may be distorted or colourless.
Distorted or poor picture.	
Completely distorted picture or black/white picture.	

Troubleshooting

The aspect ratio of the screen cannot be changed even though you have set the TV shape.

No sound or distorted sound.

The micro DVD player does not start playback.

The DVD micro system does not respond when the buttons are pressed.

Cannot activate some features, such as Angles, Subtitles, or multi-language Audio.

Considerable noise in radio broadcasts.

- ✓ The aspect ratio is fixed on the DVD disc. Depending on the TV, it may not be possible to change the aspect ratio.
- ✓ Adjust the volume.
- ✓ Check that the speakers are connected correctly.
- ✓ Replace the speaker cables.
- ✓ Disconnect the headphones.
- ✓ The system is in pause, slow motion or fast forward/reverse mode, press **PRESET/▶▶ II** (or **▶▶ II** on the remote) to resume normal play mode.
- ✓ Insert a readable disc with the playback side facing down.
- ✓ Check the disc type, colour system and regional code. Check for any scratches or smudges on the disc.
- ✓ Press **SYSTEM MENU** to turn off the setup menu screen.
- ✓ Cancel the parental control rating function or change the rating level.
- ✓ Moisture has condensed inside the system.
- ✓ Remove the disc and leave the system turned on for about an hour.
- ✓ Disconnect the power plug from the outlet and insert again.
- ✓ Multi-language sound or subtitle is not recorded on the DVD.
- ✓ Changing the language for the sound or subtitle is prohibited on the DVD.
- ✓ The features may not be available on the disc.
- ✓ Tune in to the correct frequency.
- ✓ Connect the antennas.
- ✓ Fully extend the FM wire antenna. Position for best reception and secure to a wall.
- ✓ Connect an outdoor FM or MW antenna.
- ✓ Adjust the direction and position for best reception.
- ✓ Place the antenna farther away from any equipment that may be causing the noise.
- ✓ Increase the distance between the system and your TV or other equipment.

SOFTWARE VERSION CHECK AND UPGRADING

A. MPEG SOFTWARE VERSION CHECK

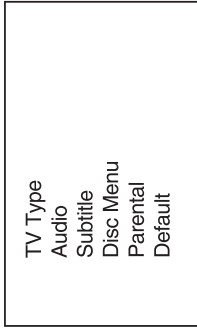
1. Press SYSTEM key (on the remote control) to open setup page.

TV Screen shows:



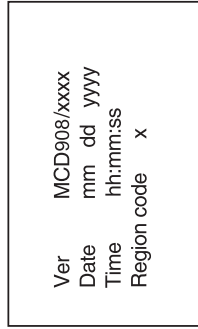
2. Press REMOVAL key (on the remote control) to the original setup page,

TV Screen shows:



3. Enter the password "811502" (on the remote control)

TV Screen shows:



4. Press ▲ or ▼ button (on the remote control) to change region.
Press OK to confirm.

B. CPU VERSION CHECK

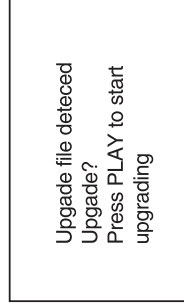
Keep PLAY/PAUSE and STOP buttons (on the set) depressed while pressing POWER on.

TV screen shows



C. MPEG SOFTWARE UPGRADING

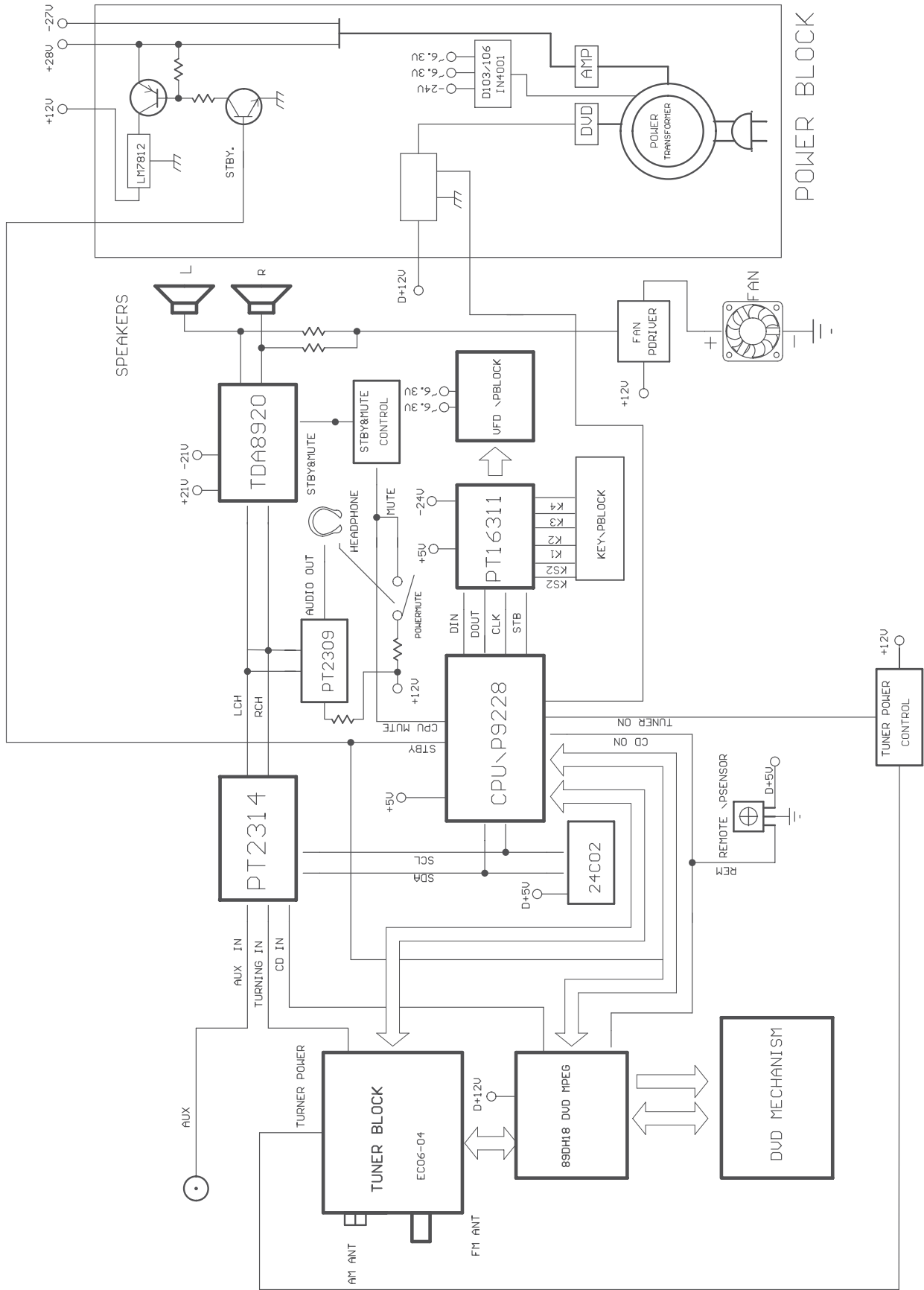
1. download the firmware from Philips support website <http://www.philips.com/support>
2. Prepare a uploading CD
3. Put the CD in the CD tray
4. TV Screen shows



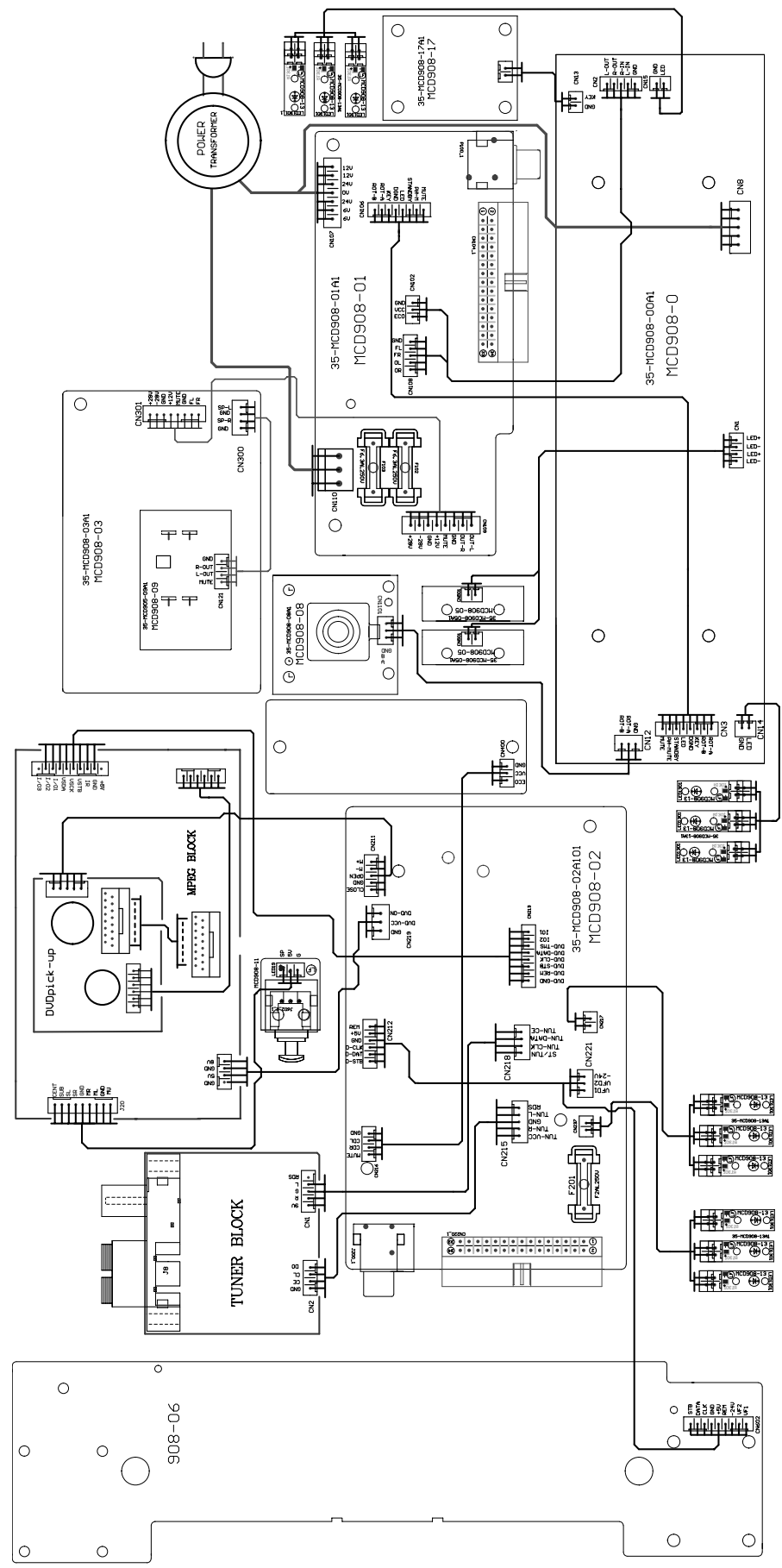
SET BLOCK DIAGRAM

5 - 1

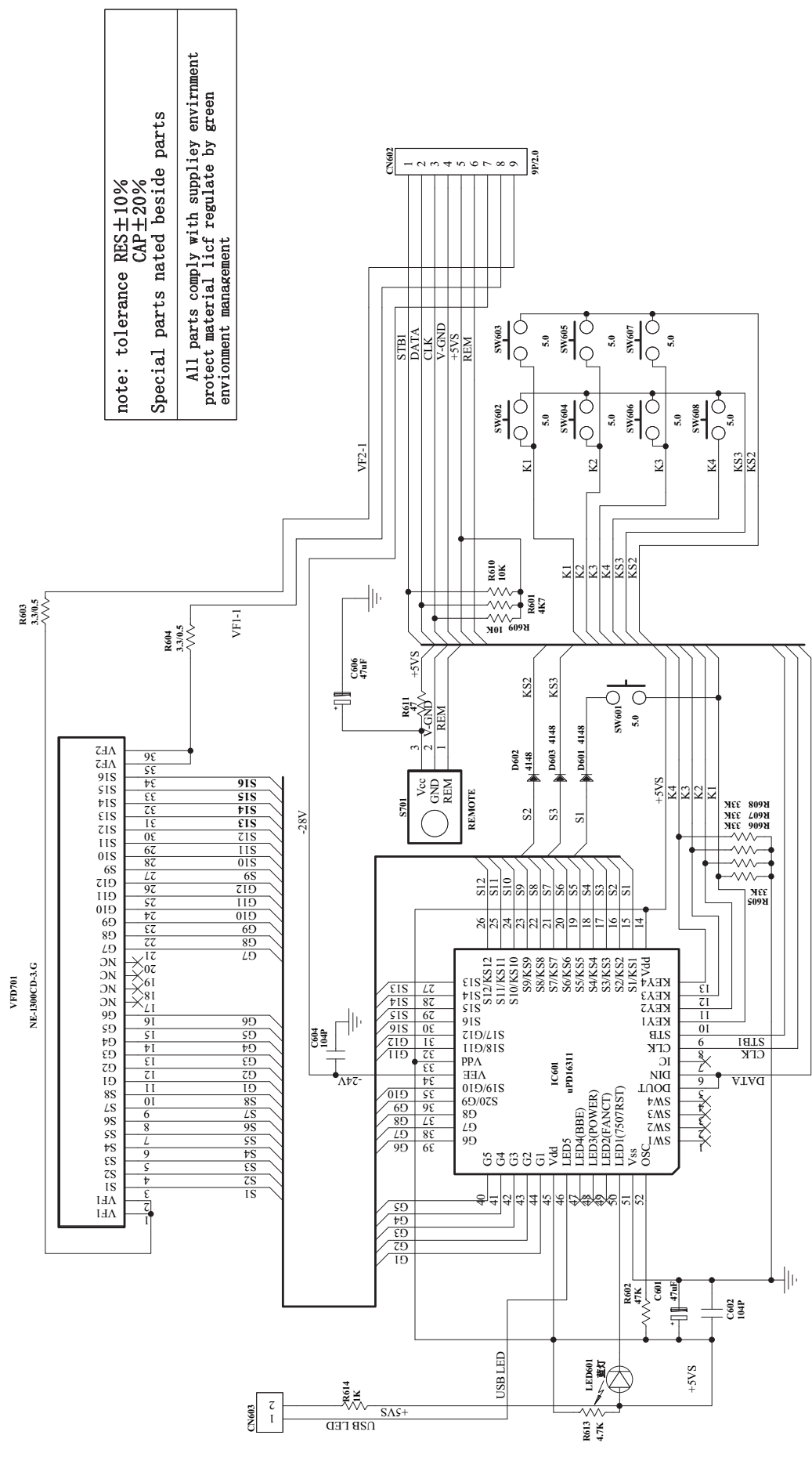
5 - 1



SET WIRING DIAGRAM



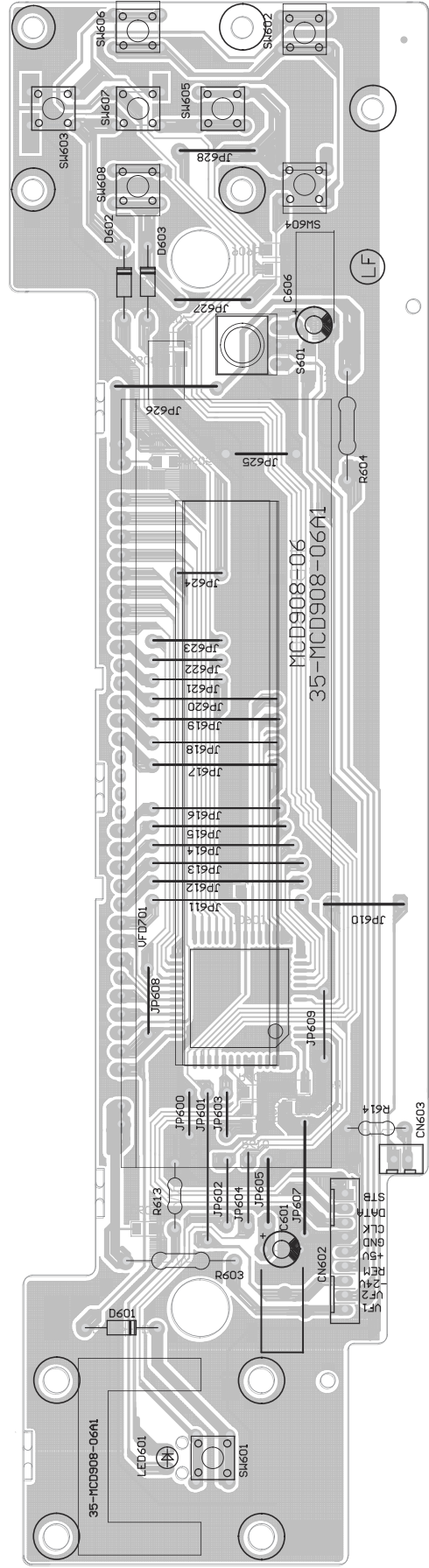
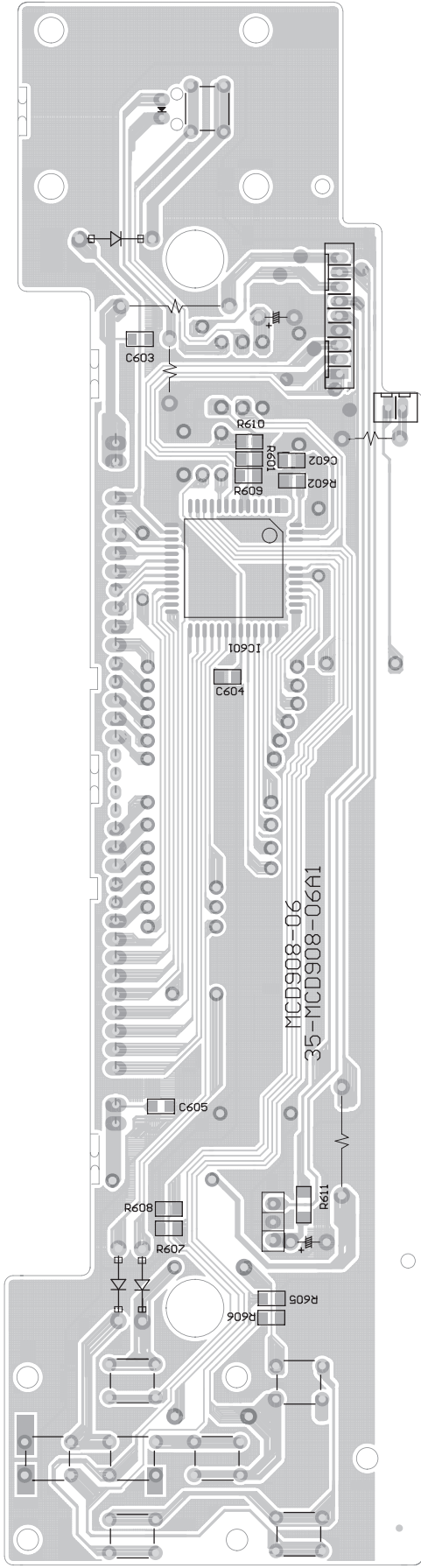
CIRCUIT DIAGRAM - VFD BOARD



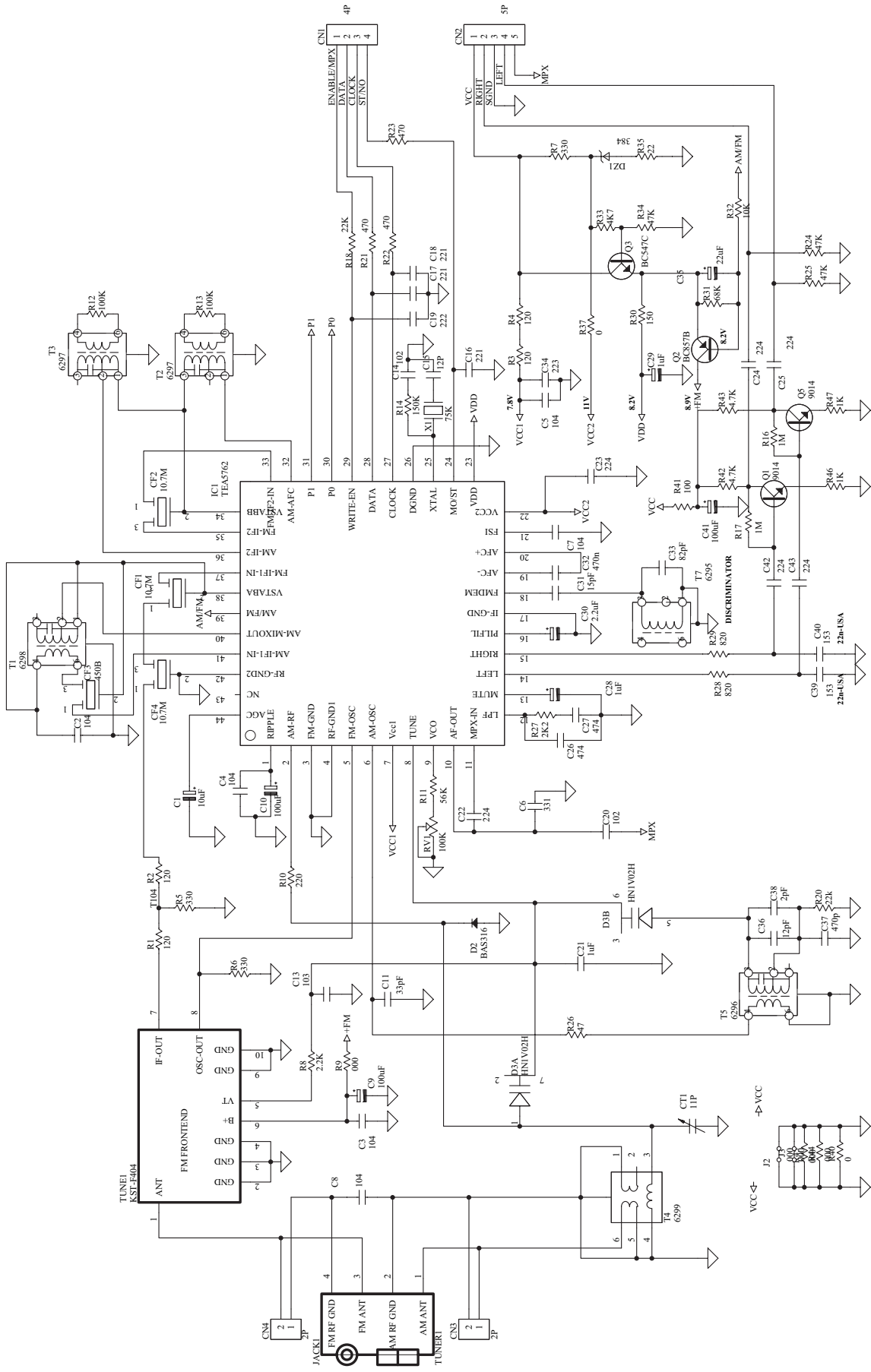
note: tolerance RES±10%
CAP±20%
Special parts nated beside parts

All parts comply with supply environment
protect material licf regulate by green
environment management

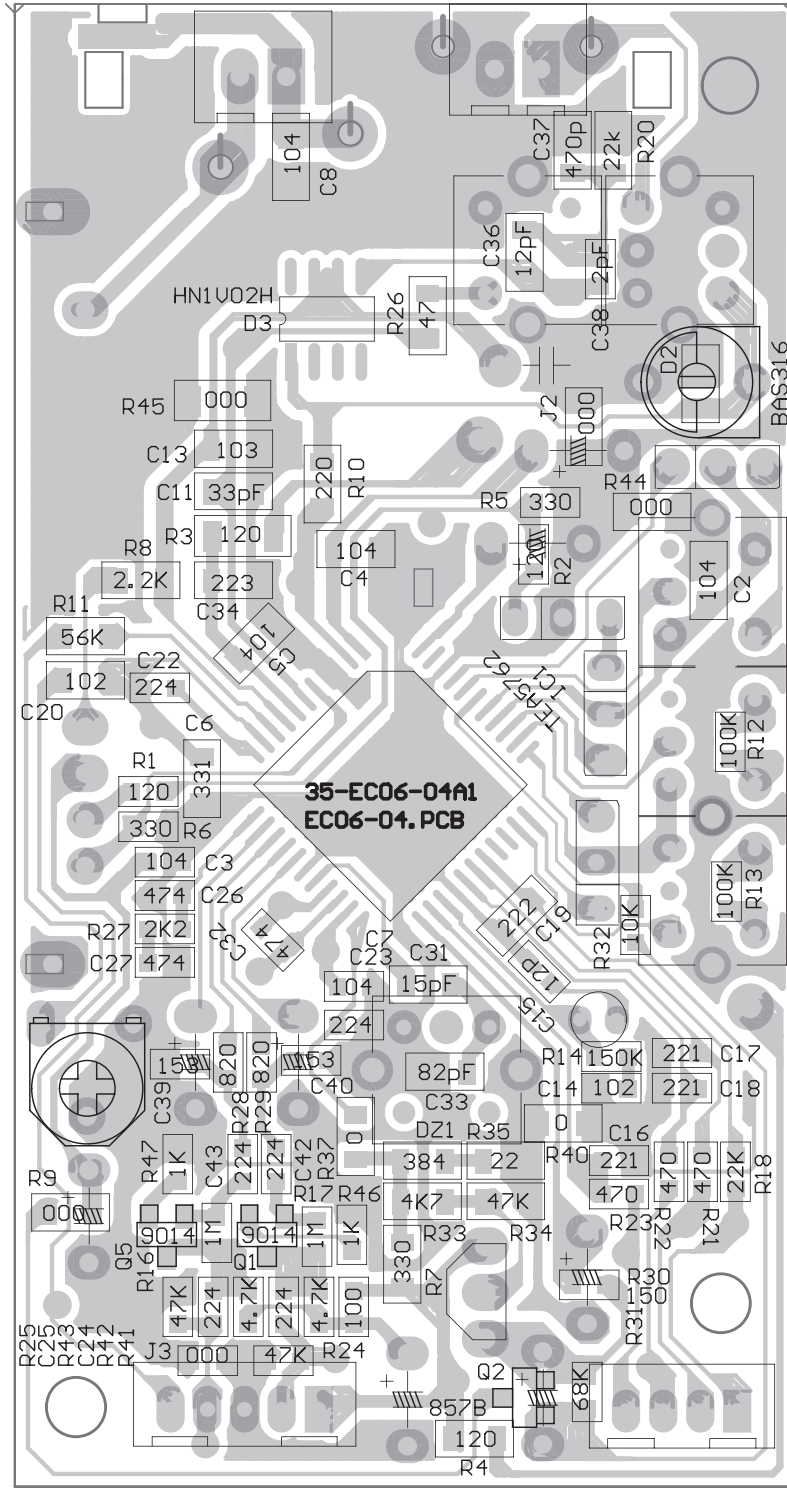
LAYOUT DIAGRAM - VFD BOARD



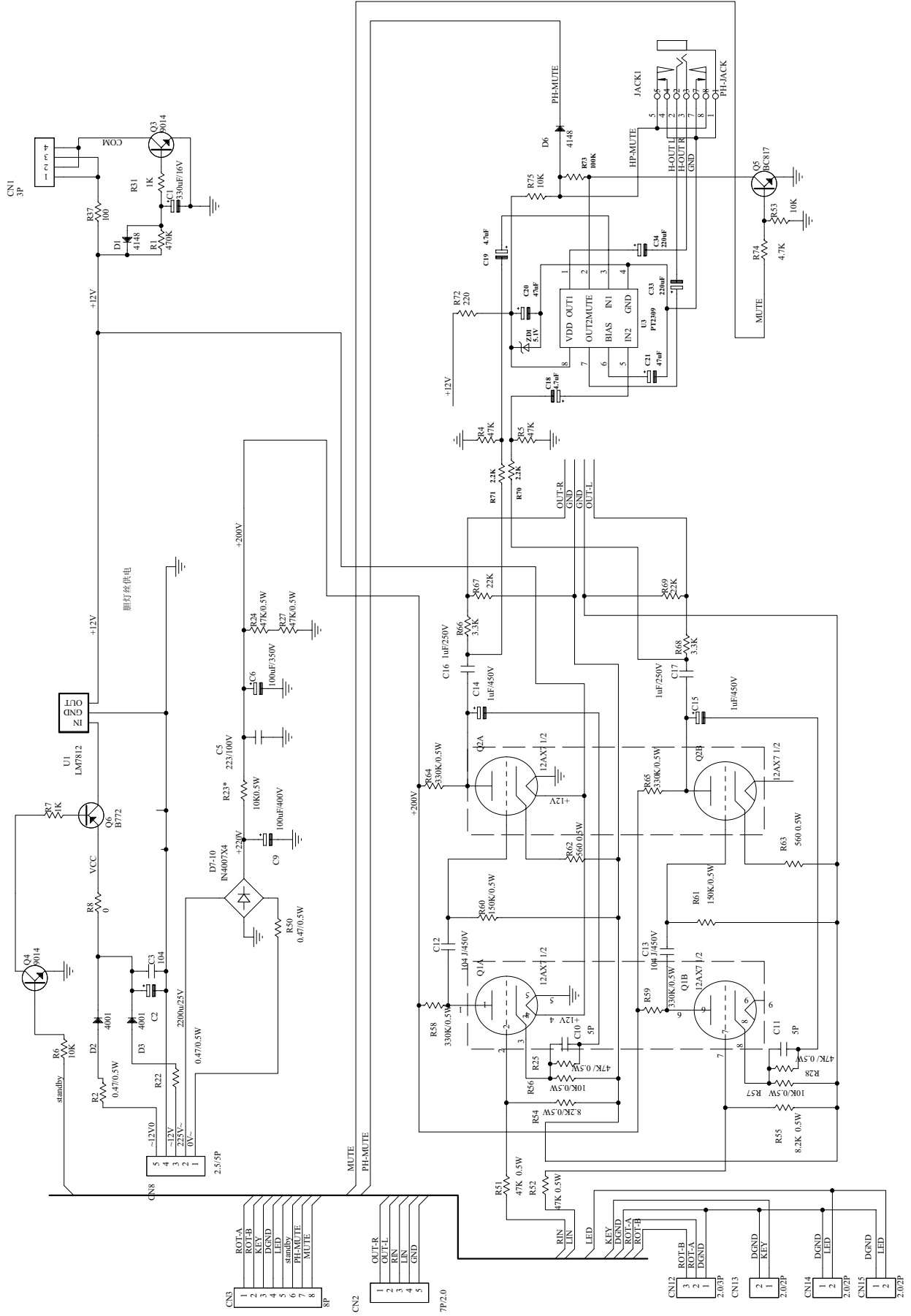
CIRCUIT DIAGRAM - TUENR BOARD



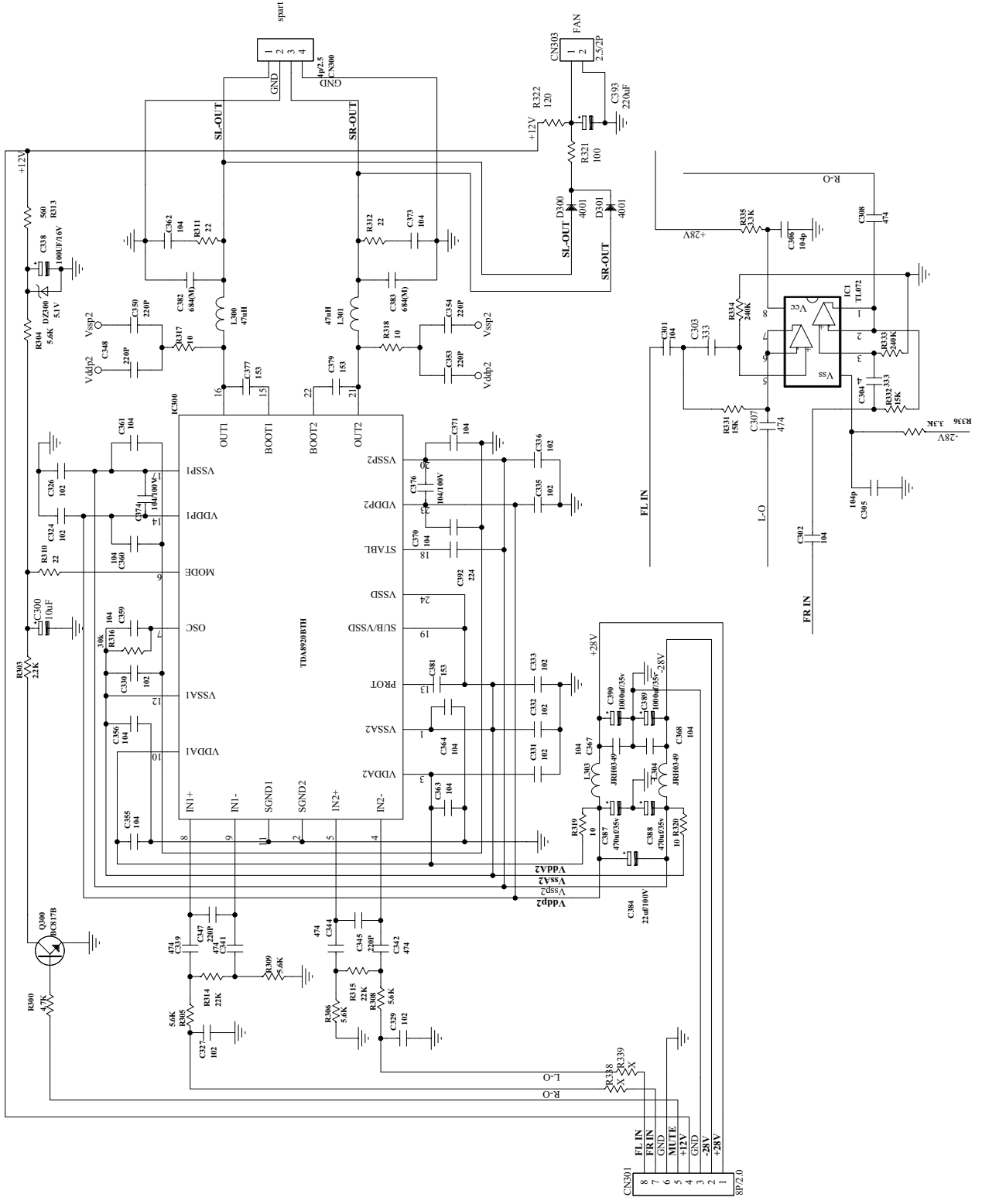
LAYOUT DIAGARM - TUNER BOARD

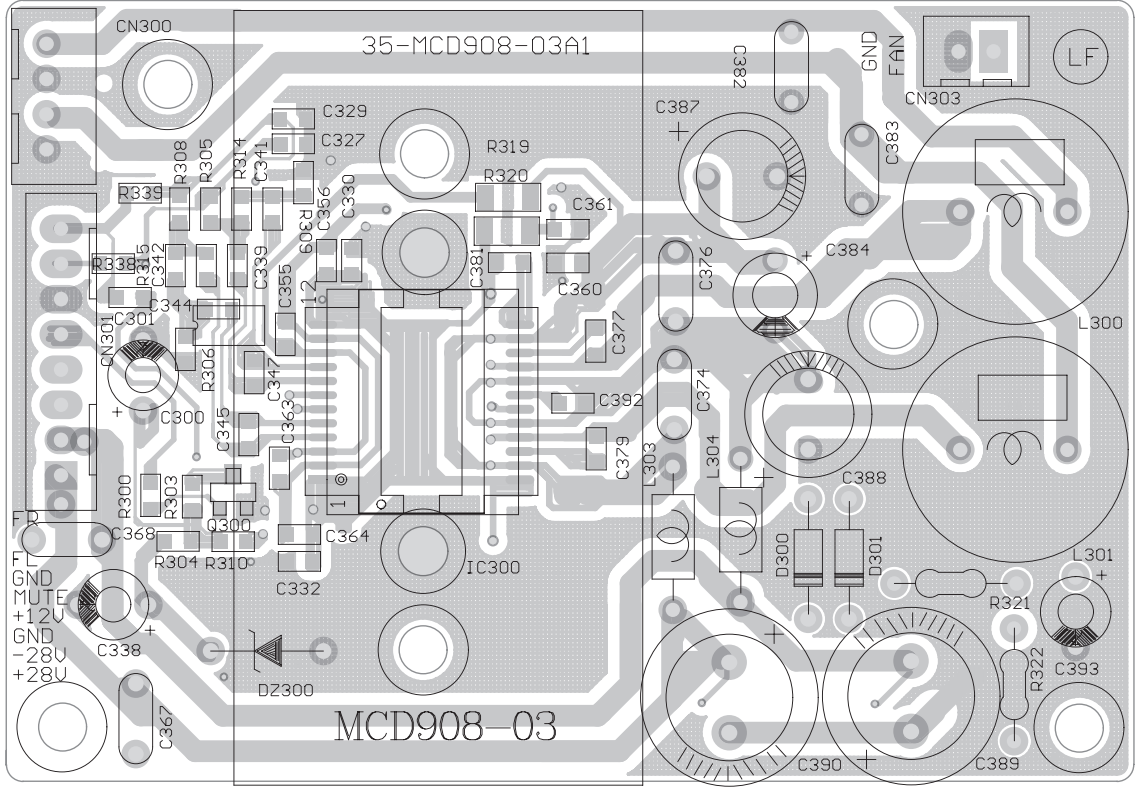


CIRCUIT DIAGRAM - AMP BOARD PART 1

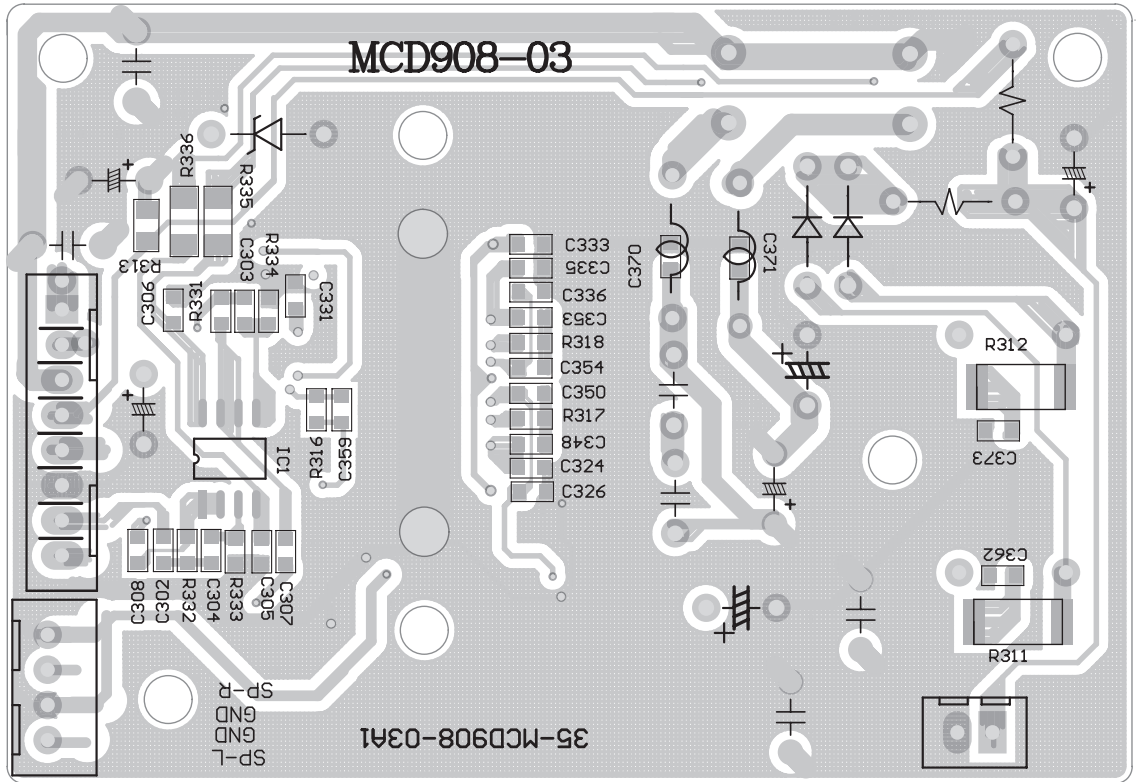


LAYOUT DIAGRAM - AMP BOARD
PART 2

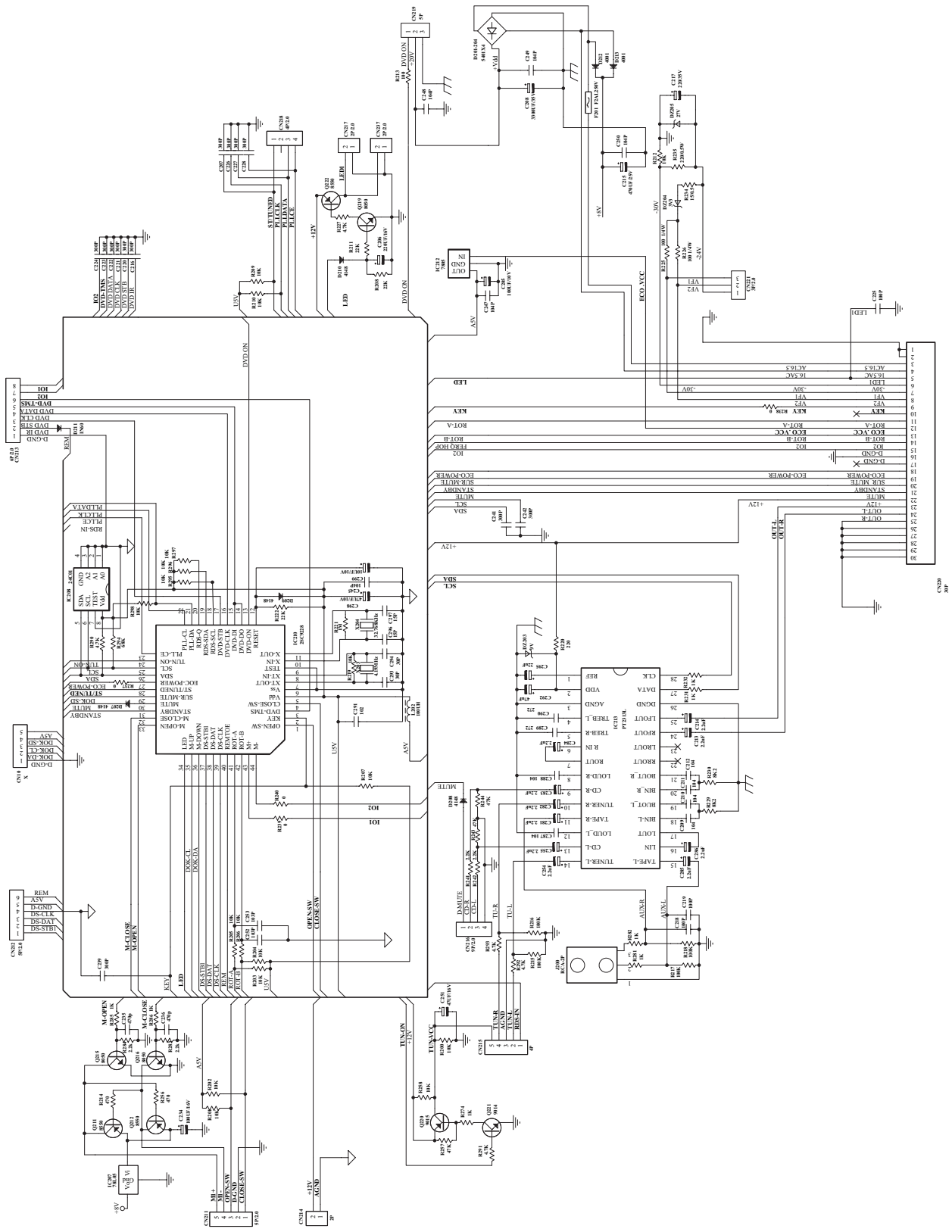




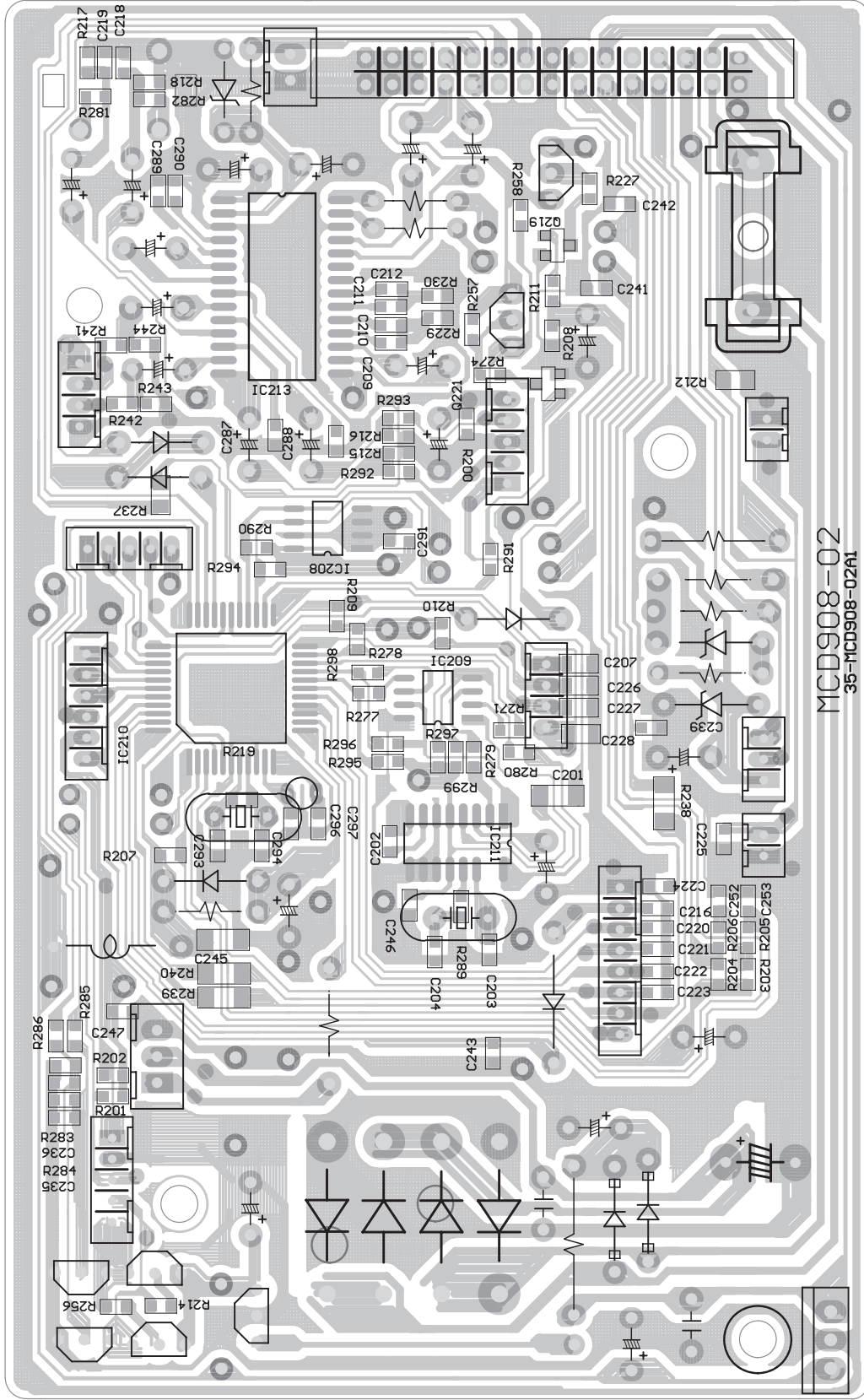
LAYOUT DIAGRAM - AMP BOARD



CIRCUIT DIAGRAM - CPU BOARD

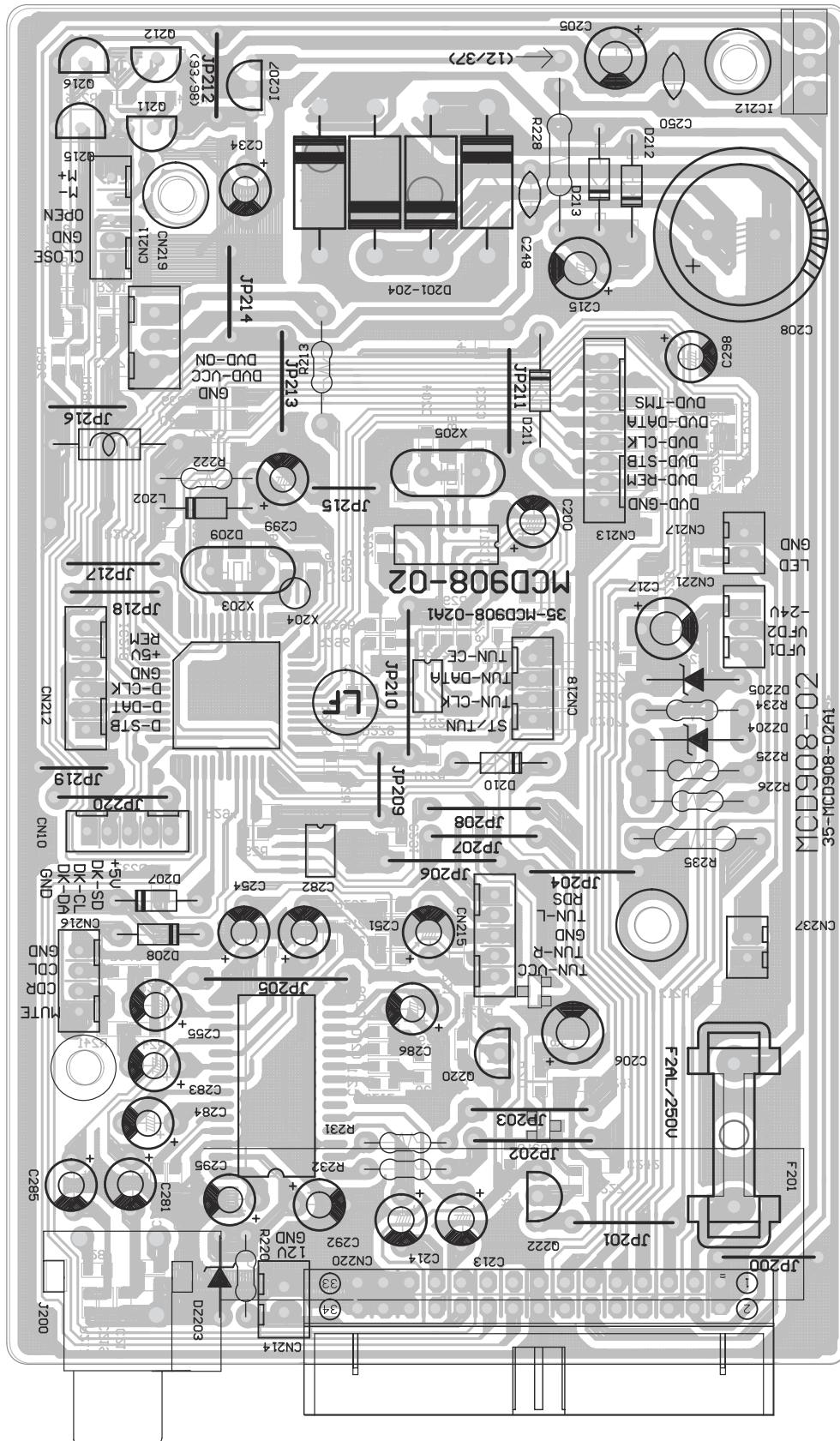


LAYOUT DIAGRAM - CPU BOARD



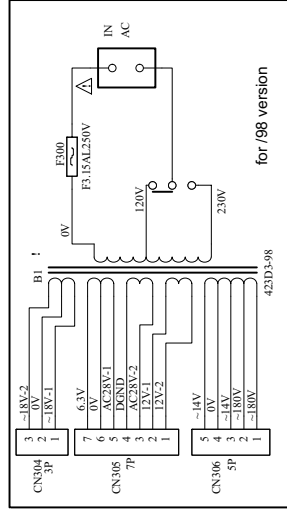
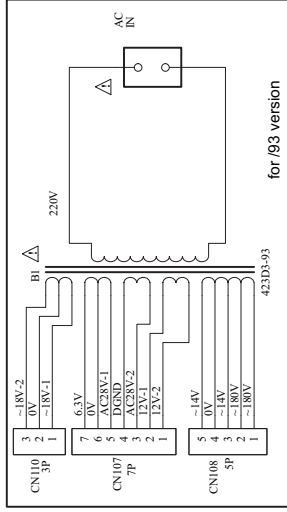
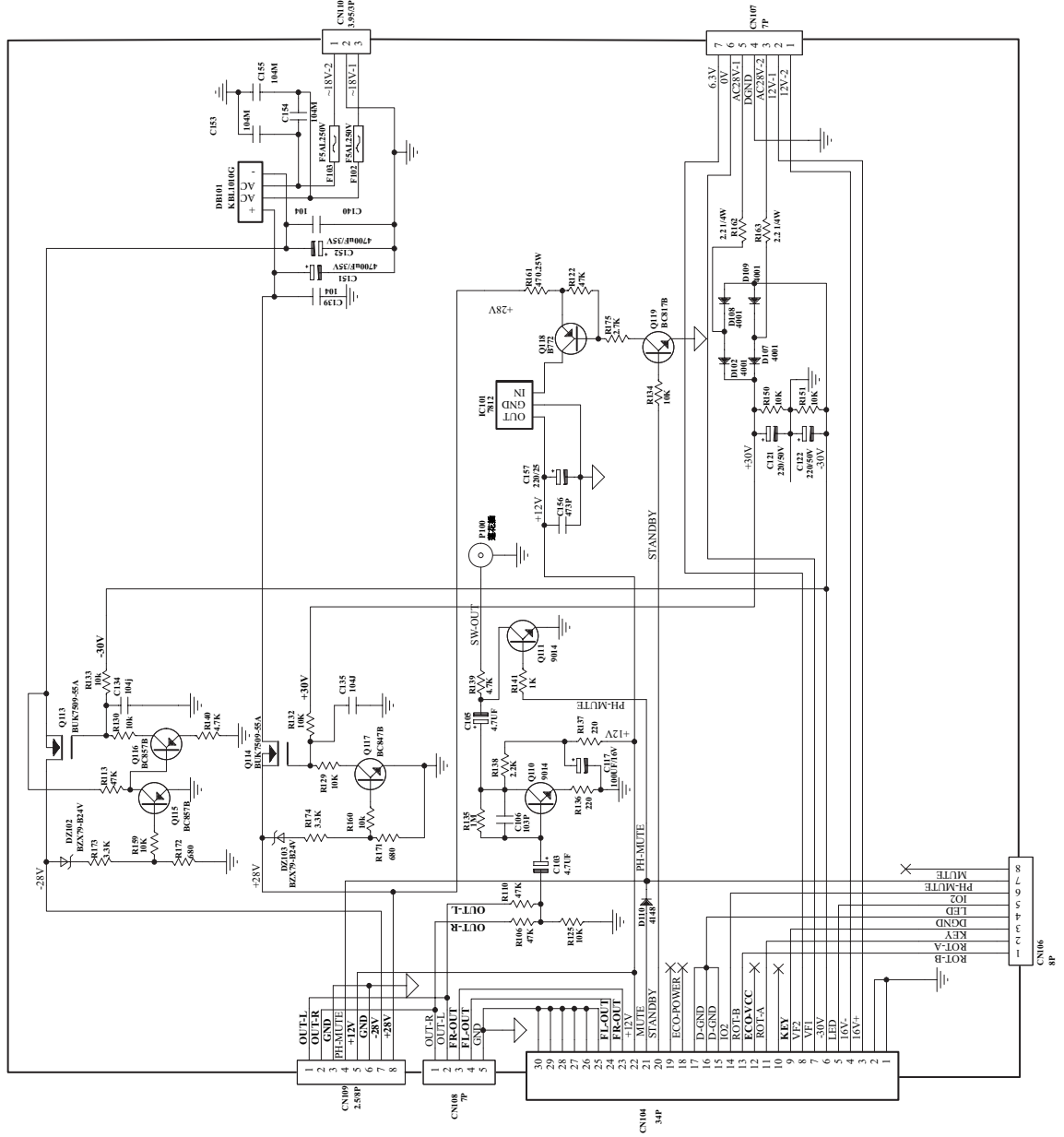
MCD908-02
35-MCD908-02A1

LAYOUT DIAGRAM - CPU BOARD

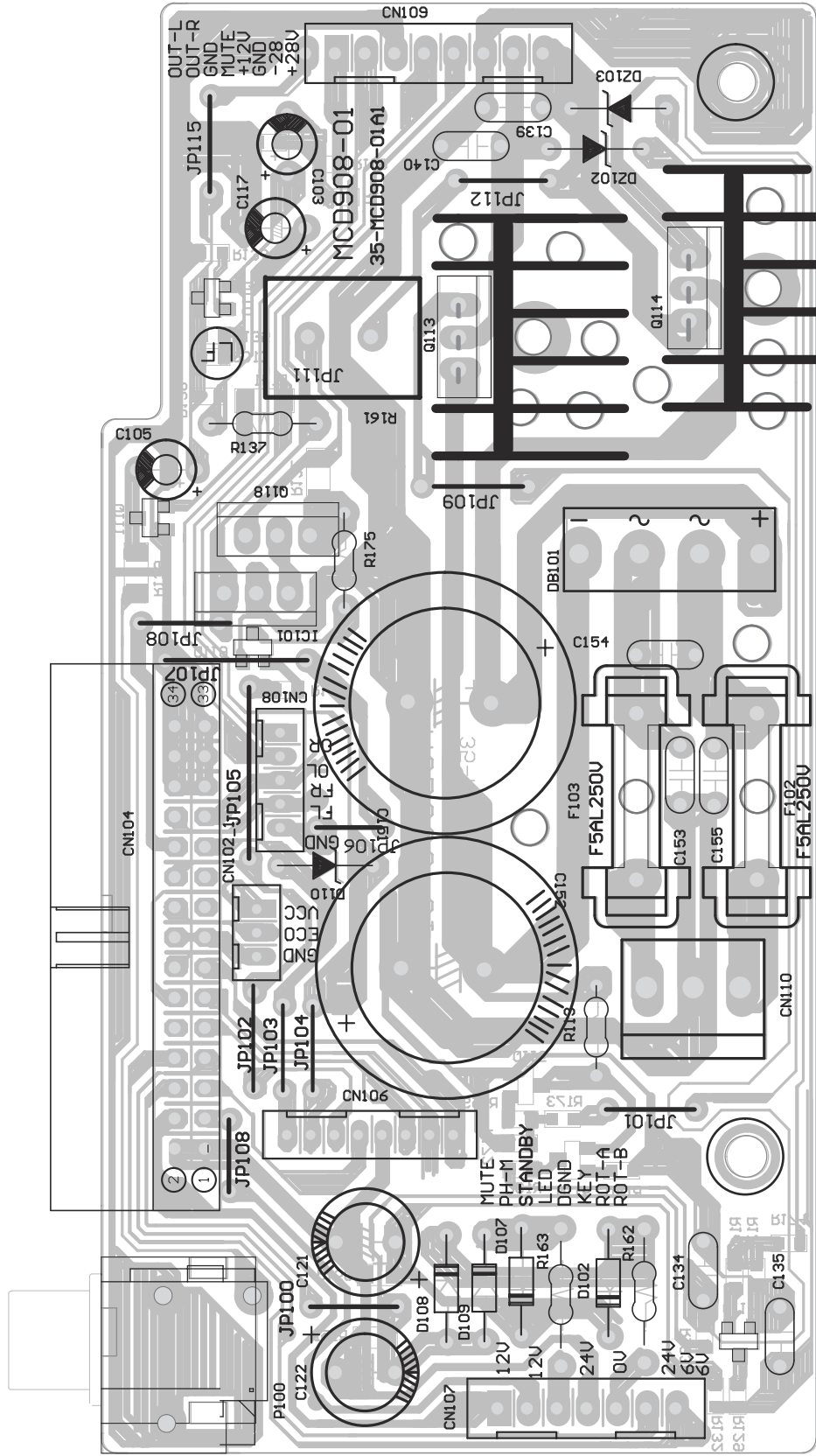


MCD908-02
35-MCD908-02A1

CIRCUIT DIAGRAM - POWER BOARD

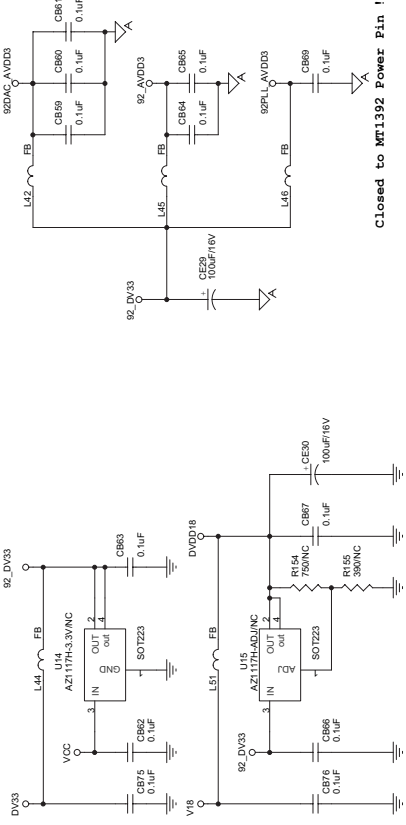
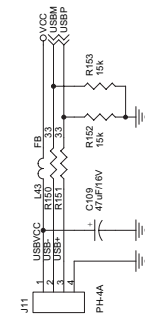


LAYOUT DIAGRAM - POWER BOARD

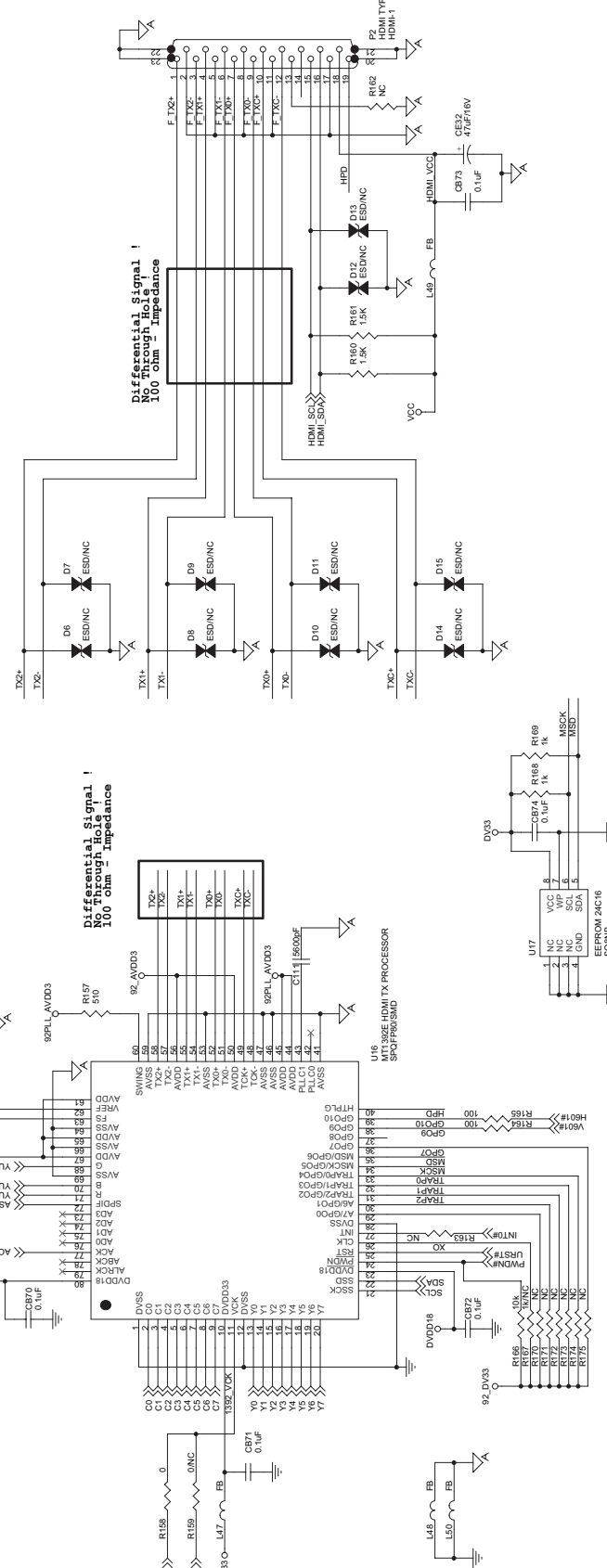


CIRCUIT DIAGRAM - DVD MPEG BOARD

MPEG is not repaired, diagram for reference only.

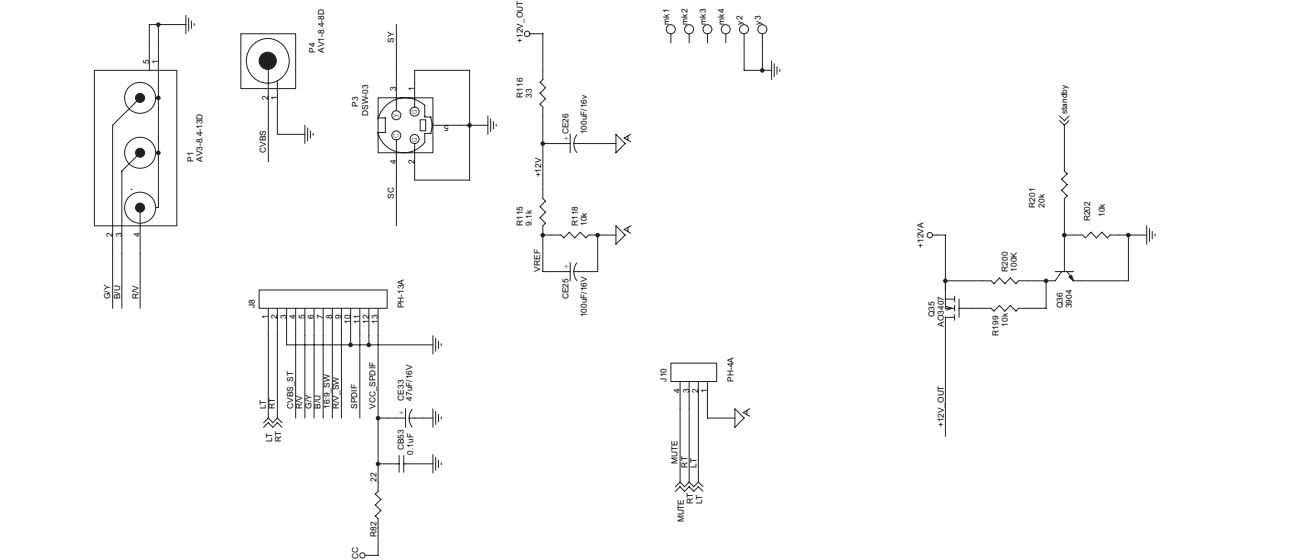
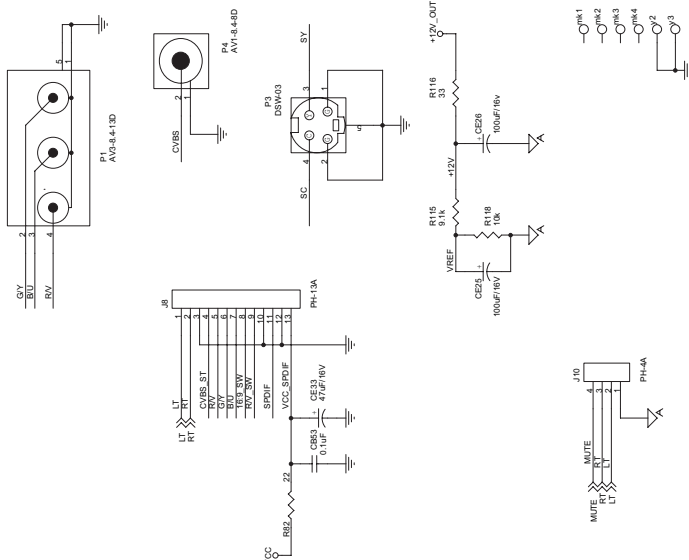
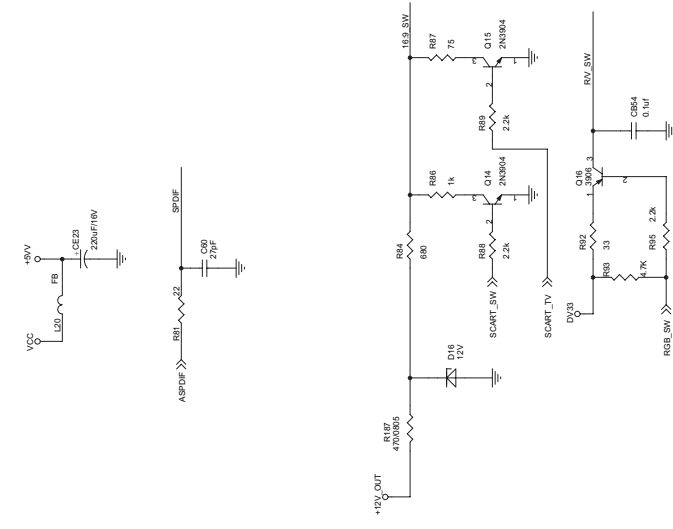
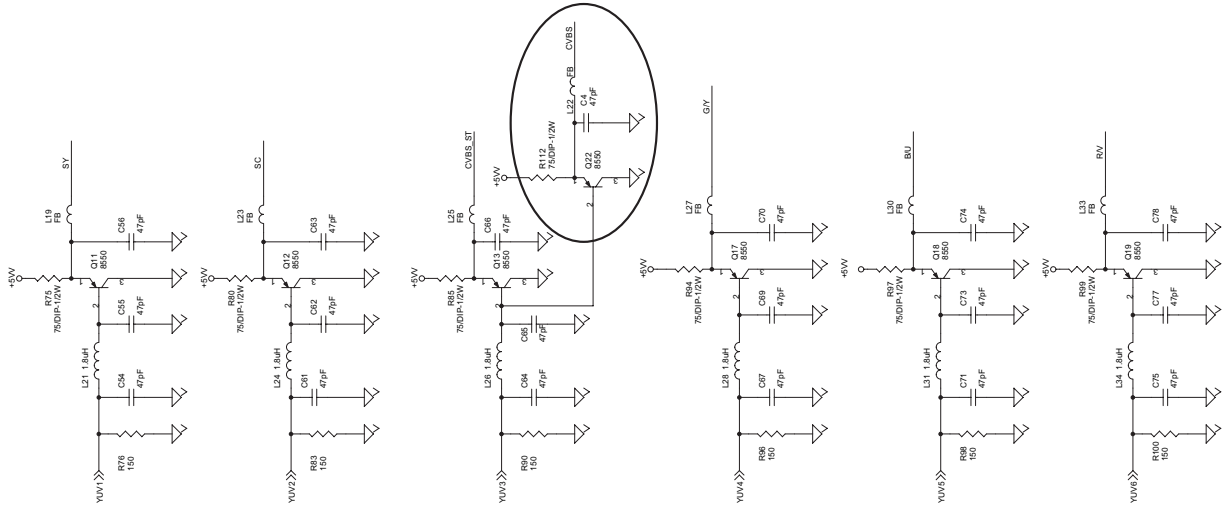


Closed to M1392 Power Pin !

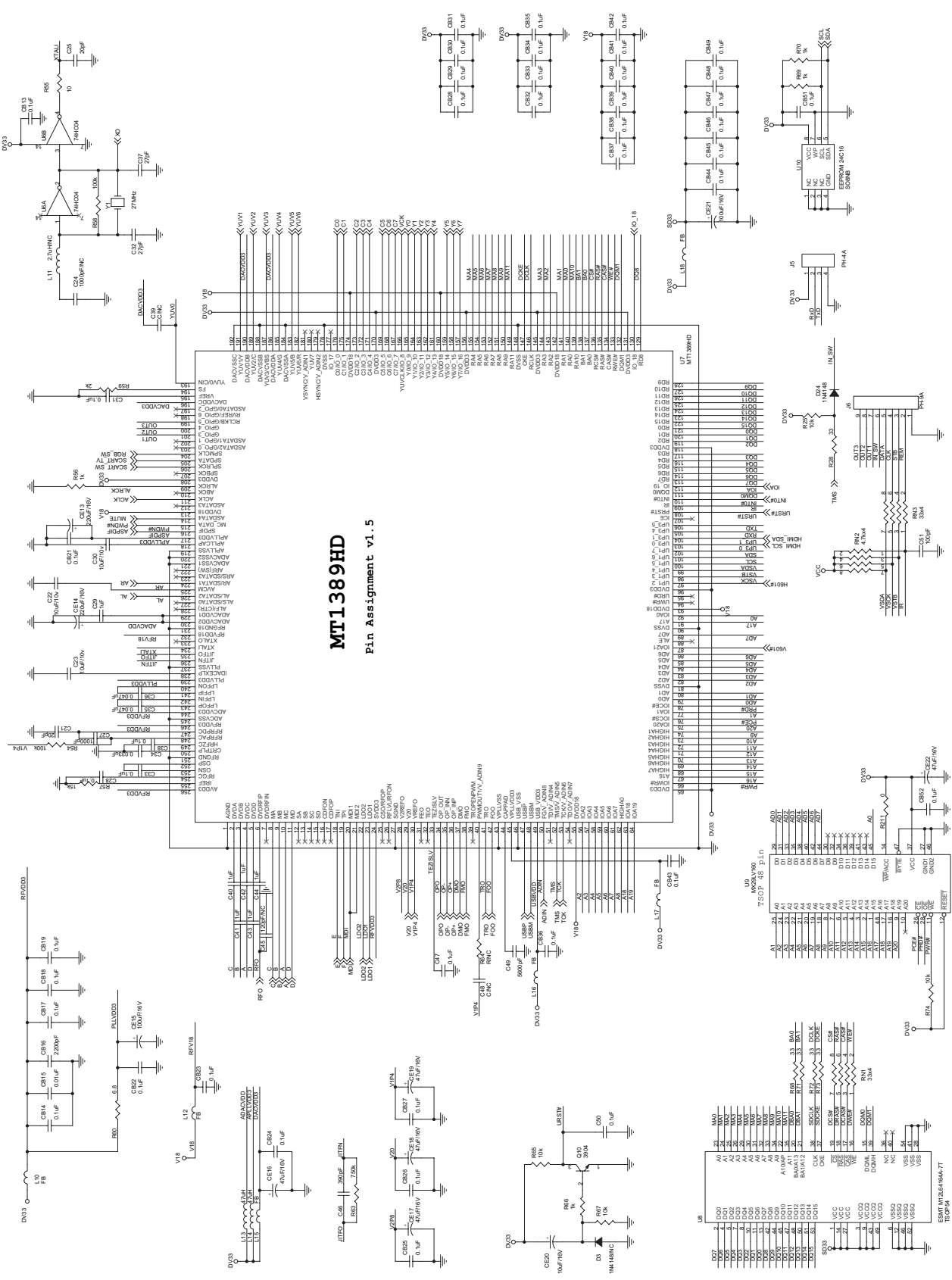


CIRCUIT DIAGRAM - DVD MPEG BOARD

MPEG is not repaired, diagram for reference only.

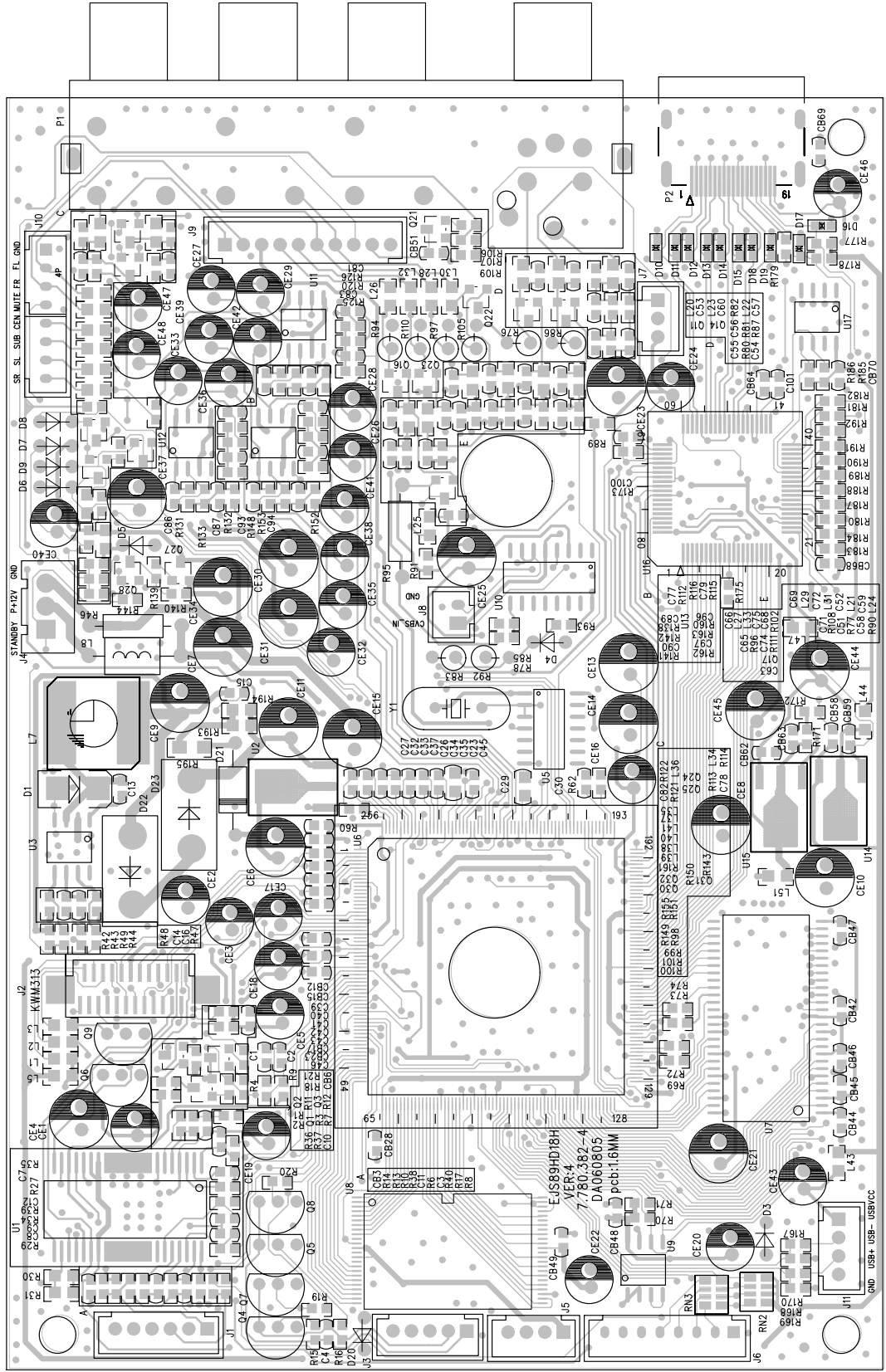


CIRCUIT DIAGRAM - DVD MPEG BOARD
 MPEG is not repaired, diagram for reference only.



LAYOUT DIAGRAM - DVD MPEG BOARD

MPEG is not repaired, diagram for reference only.



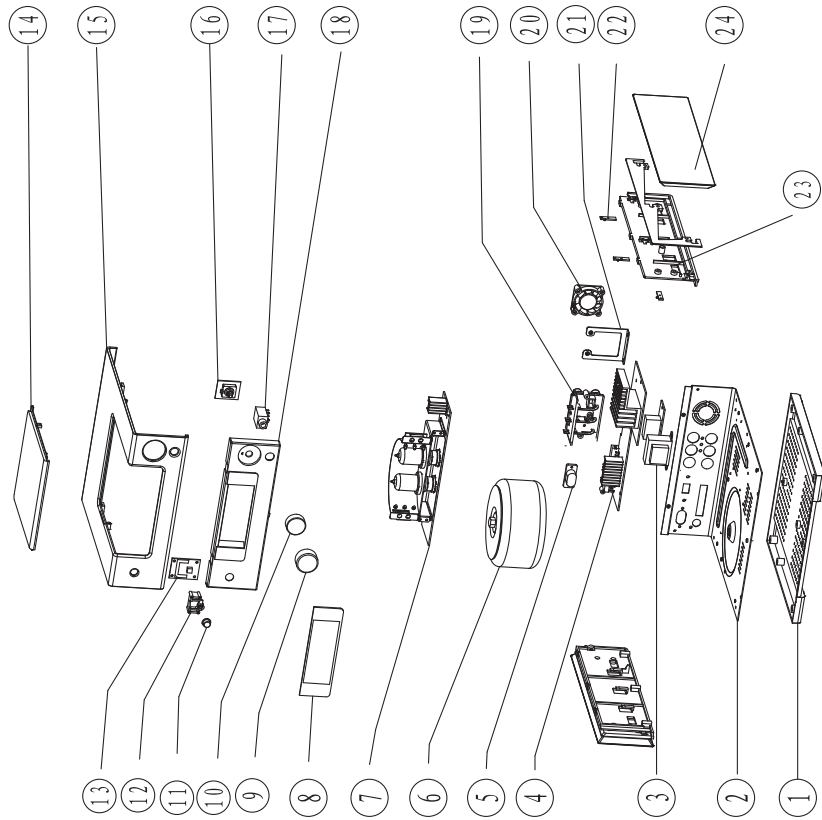
VER.4
7.780.382-4
DA060805

pcb:1.6MM

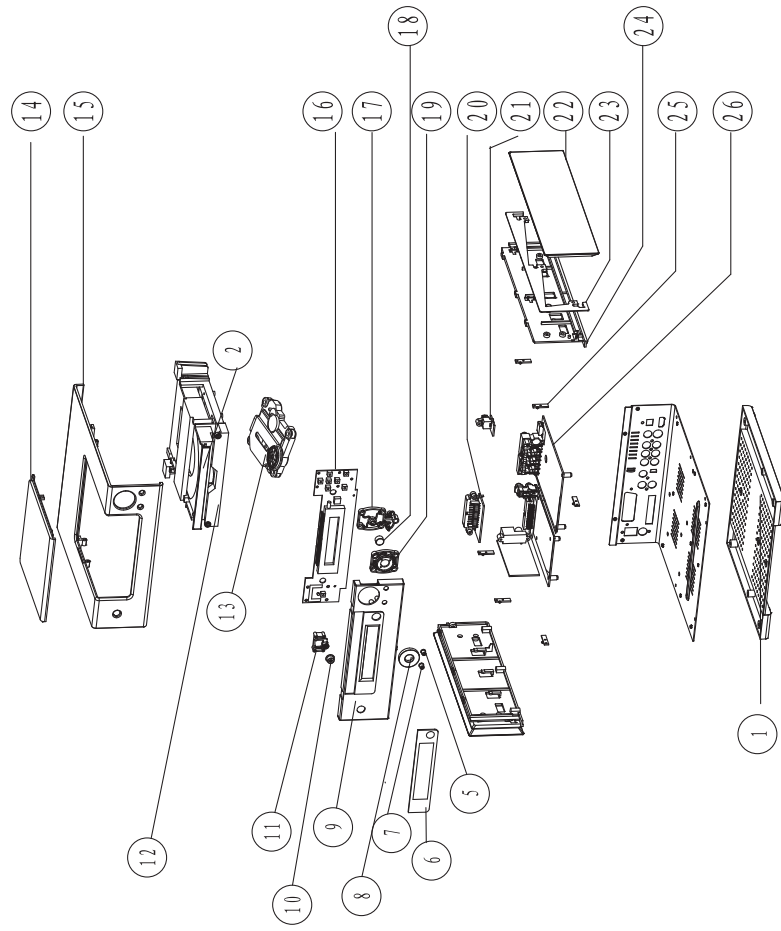
E:US89HD18H

EXPLODED VIEW DIAGRAM

AMP PART



DVD PART



ACCESSORIES

A	9965 000 42549	SPEAKER BOX ASSY (-/93)
A	9965 100 00824	SPEAKER BOX INCLU. L&R BOXES (-/98)
A	9965 100 01968	SPEAKER BOX INCLU. L BOXES (-/37)
A	9965 100 01969	SPEAKER BOX INCLU. R BOXES (-/37)
B	9965 000 42550	REMOTE CONTROL ASSY -/37
B	9965 100 00825	REMOTE CONTROL ASSY PRC507-01
C	9940 000 03517	AM ANT SINGLE JUMPER WIRE
D	9965 000 41018	FM ANTENNA WIRE 1.5M
E	9965 000 42551	CONTROL CABLE WIRE 2.5/30P
F	9965 000 41615	ANTENNA HOLDER ASSY AM

MECHANICAL PARTSLIST**AMP PART**

1	9965 000 42518	AMP CABINET BOTTOM
5	9940 000 04884	AC SOCKET 2.5A/250V (-/93/98)
5	9940 000 05316	AC SOCKET 2.5A/250V (-/37)
6	9965 000 42519	TRANSFORMER 423D-93 220V/50 (-/93)
6	9965 100 00818	TRANSFORMER 423D-55/98 120/230 (-/98)
6	9965 100 01955	TRANSFORMER 423D-37 120V/60 UL (-/37)
8	9965 000 42520	AMP CABINET FRONT LENS
10	9965 100 00819	VOL KNOB
11	9965 000 42522	AMP SOURCE KNOB
12	9965 000 42523	AMP SOURCE BRACKET
14	9965 100 00820	MCD908 AMP TOP LENS
15	9965 000 42525	AMP CABINET TOP (ALU.)
18	9965 000 42526	AMP CABINET FRONT
23	9965 000 42527	PCB-L PIMMA
23	9965 000 42528	PCB-R PIMMA
24	9965 000 42545	WOODEN SIDE PLATE-L
24	9965 000 42529	WOODEN SIDE PLATE-R
	9965 100 01120	RUBBER FOOT

MECHANICAL PARTSLIST**DVD PART**

1	9965 000 42530	DVD CABINET BOTTOM
2	9965 000 42531	DVD DOOR
5	9965 000 42532	DVD DSC KNOB
6	9965 000 42533	DVD FRONT LENS PIMMA
7	9965 000 42534	DVD OPEN/CLOSE KNOB
8	9965 000 42535	DVD FUNCTION KNOB
9	9965 000 42536	DVD CABINET FRONT
10	9965 000 42537	DVD STANDBY KNOB
11	9965 000 42538	DVD STANDBY KNOB BRACKET
12	9965 000 42548	DVD MECHA.BRACKET RT-656N
13	9940 000 04891	DVD MECHANISM KHM-313AAA
15	9965 000 42541	DVD TOP COVER -/93/98
15	9965 100 01949	DVD TOP COVER -/37
17	9965 000 42542	DVD KNOB BRACKET
18	9965 000 42543	DVD PLAY/STOP KNOB
19	9965 000 42544	DVD FUNCTION KNOB BRACKET
22	9965 000 42545	WOODEN SIDE PLATE-L
22	9965 000 42529	WOODEN SIDE PLATE-R
24	9965 000 42546	PLASTIC SIDE PLATE-L
24	9965 000 42547	PLASTIC SIDE PLATE-R
	9965 000 42540	DVD MECHA. ASSY(inclu.item12,13)
	9965 100 00811	DECODER ASSY MCD908/98
	9965 100 00846	DECODER ASSY MCD908/93
	9965 100 01952	DECODER ASSY MCD908/37

Note: Only these parts mentioned in the list are normal service parts.

ELECTRICAL PARTSLIST - DVD PAR**- MISCELLANEOUS -**

VFD701	9965 100 00806	VFD DISPLA
SW601	9940 000 02543	LIGHT TOUCH SWITCH
SW602	9940 000 02543	LIGHT TOUCH SWITCH
SW603	9940 000 02543	LIGHT TOUCH SWITCH
SW604	9940 000 02543	LIGHT TOUCH SWITCH
SW605	9940 000 02543	LIGHT TOUCH SWITCH
SW606	9940 000 02543	LIGHT TOUCH SWITCH
SW607	9940 000 02543	LIGHT TOUCH SWITCH
SW608	9940 000 02543	LIGHT TOUCH SWITCH
S601	9940 000 02542	IR SENSOR
X1	9940 000 03452	QUARTZ CRYSTAL 75KHZ D3.0
X204	9940 000 02551	CRYSTAL OSC FREQ. 32.768 KHZ
X203	9940 000 03152	CERMIC FILTER FREQUENCY 4.19MH
TUNE1	9965 000 41012	FM TUNER KST-F404HA-11A
CN212	9965 000 41002	SPEAKER SOCKET DJ-270-DH-03
CN213	9965 000 41002	SPEAKER SOCKET DJ-270-DH-03
J200	9940 000 03414	RCA SOCKET
F201	△ 9940 000 02529	FUSE F2AL250V
LE1301	9940 000 03437	LED 3B4SCB01
JACK1	9965 000 42013	ANT. LEADING-OUT TERMINAL
JK1301	9940 000 02556	OPTICAL & COAXIAL SOCKET
	9940 000 04968	USB JACK A-TYPE 4P FEMALE
	9965 000 42555	CPU PCB ASS'Y -/93/98
	9965 000 01954	CPU PCB ASS'Y -/37
	9965 000 42556	TUNER BOARD ASS'Y EC06-04
	9965 100 01122	PRE-AMP PCB ASS'Y

- COILS & FILTERS -

T7	9940 000 05137	I.F.T. COIL BROWN 6295
T5	9940 000 05138	I.F.T. COIL BROWN 6296
T2	9940 000 05139	I.F.T. COIL BROWN 6298
T3	9940 000 05139	I.F.T. COIL BROWN 6298
T1	9940 000 05141	I.F.T. COIL BROWN 6298
T4	9940 000 05142	I.F.T. COIL BROWN 6299
CF1	9965 000 42552	FM CER. FILTER 10.7MHZ 3P
CF2	9965 000 42552	FM CER. FILTER 10.7MHZ 3P
CF4	9965 000 42552	FM CER. FILTER 10.7MHZ 3P

- IC & TRANSISTORS -

IC1	9940 000 03797	IC TEA5762
IC208	9940 000 03804	IC AT24C01 / AT24C02 2.7V
IC210	9965 000 42553	MCU PARTS ASS'Y(CPU U252) (-/93)
IC210	9965 100 00813	MCU PARTS ASS'Y(CPU U252) (-/98)
IC210	9965 100 01953	MCU PARTS ASS'Y(CPU U252) (-/37)
IC212	9965 100 00010	IC LM7805/LM340T5 7805
IC213	9940 000 03724	IC PT2313L
IC601	9940 000 02539	IC PT6311
Q1	9940 000 03156	CHIP TRANSISTOR 9014
Q5	9940 000 03156	CHIP TRANSISTOR 9014
Q219	9940 000 03723	TRANSISTOR 8050
Q211	9940 000 04934	TRANSISTOR 8550-C
Q212	9940 000 04934	TRANSISTOR 8550-C
Q222	9940 000 04934	TRANSISTOR 8550-C
Q221	9940 000 03156	CHIP TRANSISTOR 9014
Q220	9940 000 03441	TRTRANSISTOR 9015C

ELECTRICAL PARTSLIST - AMP PART**- MISCELLANEOUS -**

JACK1	9965 100 00821	HEADPHONE JACK
	9940 000 02535	VOLUME CODER ED-1612-00-F15
J201	9965 100 00822	4PINS SPEAKER SOCKET
	9940 000 02534	HEADPHONE JACK 3.5MM
	9940 000 03432	LIGHT TOUCH SWITCH
LED50	9965 000 42562	LED DIODE ORANGE
LED502	9965 000 42562	LED DIODE ORANGE
LED503	9965 000 42562	LED DIODE ORANGE
F102	△ 9940 000 03433	FUSE F6.3AL250V (for -/93)
F103	△ 9940 000 03433	FUSE F6.3AL250V (for -/93)
F102	△ 9965 100 00823	FUSE F6.3AL250V(50F) (for -/98)
F103	△ 9965 100 00823	FUSE F6.3AL250V(50F) (for -/98)
P100	9940 000 04983	RCA SOCKET AV-8.4-0.8B
DB101	9940 000 03418	THYRISTOR RS1010G(10A)
	△ 9940 000 05166	AC LINE CORD 1.8M (for -/93)
	△ 9940 000 04888	AC LINE CORD 1.8M UL (for -/37)
	△ 9940 000 04988	AC LINE CORD 1.8M (for -/98)
	9940 000 03499	FLAT FLEX CABLE 24P
	9965 100 00523	SWITCH VSC-22-1-110/220V-m (for -/98)
T401	△ 9965 100 01967	TRANSFORMER ECO-228A-12 230V/50(-/37)

- IC & TRANSISTORS -

IC300	9940 000 03422	IC TDA8920BTH
IC101	9940 000 04937	IC 7812
Q1	9965 100 01121	VACUUM TUBE 12AX7
Q2	9965 100 01121	VACUUM TUBE 12AX7
Q110	9940 000 03156	CHIP TRANSISTOR 9014
Q111	9940 000 03156	CHIP TRANSISTOR 9014
Q118	9940 000 04938	TRANSISTOR 2SB772
Q113	9965 000 42558	MOSFET BUK7509-55A
Q114	9965 000 42558	MOSFET BUK7509-55A
Q3	9965 000 42559	TRANSISTOR 9014D-5
Q4	9965 000 42559	TRANSISTOR 9014D-5
Q6	9965 000 41644	TRANSISTOR 772
U1	9940 000 04937	IC 7812
U3	9940 000 02524	IC PT2309-S(L)

Note: Only these parts mentioned in the list are normal service parts.

DVD UNIT PARTS ASS'Y MCD908/12**9965 200 00111 TRANSISTORS & IC**

IC207	9940 000 05148	IC CHMC 78L05
IC208	9965 100 00009	IC AT24C02-PC27(2.7V)
IC209	9940 000 04955	IC AC6811(RDS) /12
IC211	9940 000 05147	IC PT2579-SN SMALL
IC212	9965 100 00010	IC LM7805/LM340T5 7805
IC213	9965 100 00814	IC PT2313L
IC601	9965 100 00500	IC PT6311/SC16311/CD16311
U252	9965 100 01135	MCU PARTS ASS'Y MCD908/12

9965 200 00106 MISCELLANEOUS

29	9965 000 42556	TUNER BOARD ASS'Y EC06-04
30	9965 100 01137	CPU PCB ASS'Y MCD908/12
31	9965 100 01138	DECODER CARD ASS'Y MCD908/12
32	9965 000 42540	DVD DISC ASS'Y
F201	9940 000 04867	FUSE F2AL250V
J200	9965 100 01136	RCA SOCKET 2p AV2-8.4-13 RD WH
J201	9965 100 00822	4PINS SPEAKER SOCKET
JACK1301	9965 100 00235	OPTICAL DIGITAL JACK TX179AT
LED601	9940 000 04948	LED LAMP(BLUE) /12
S601	9940 000 04961	IR SENSOR BLACK
SW601	9940 000 04963	LIGHT TOUCH SW. TC103 H5
SW602	9940 000 04963	LIGHT TOUCH SW. TC103 H5
SW603	9940 000 04963	LIGHT TOUCH SW. TC103 H5
SW604	9940 000 04963	LIGHT TOUCH SW. TC103 H5
SW605	9940 000 04963	LIGHT TOUCH SW. TC103 H5
SW606	9940 000 04963	LIGHT TOUCH SW. TC103 H5
SW607	9940 000 04963	LIGHT TOUCH SW. TC103 H5
SW608	9940 000 04963	LIGHT TOUCH SW. TC103 H5
VFD701	9965 100 00806	VFD DISPLAY NE-705D-2.GB
X204	9965 100 00012	CRYSTAL OSC FREQ.32.768KHz

9965 200 00104 DVD UNIT CASING PARTS ASS'Y MCD908/12

10	9965 000 42534	DVD OPEN/CLOSE KNOB
11	9965 000 42532	DVD DSC KNOB
12	9965 000 42543	DVD PLAY/STOP KNOB
13	9965 000 42535	DVD FUNCTION KNOB
14	9965 000 42544	DVD FUNCTION KNOB BRACKET
15	9965 100 00810	DVD KNOB BRACKET
16	9965 000 42538	DVD STANDBY KNOB BRACKET
17	9965 100 01238	MCD908 TOP LENS
18	9965 000 42539	DVD MECHANISM BRACKET
19	9965 100 01239	MCD908 DVD CABINET BOTTOM

9965 200 00104 DVD UNIT CASING PARTS ASS'Y MCD908/12

20	9965 100 01240	MCD908 SIDE PLATE-L SILVER
21	9965 100 01241	MCD908 SIDE PLATE-R SILVER
22	9965 000 42527	PCB-L PMMA
23	9965 000 42528	PCB-R PMMA
24	9965 100 01242	1204 FILTER LENS (B)
25	9965 000 42545	SIDE PLATE-L
26	9965 000 42529	SIDE PLATE-R
3	9965 100 01235	MCD908 DVD CABINET METAL
4	9965 000 42541	DVD TOP COVER(ALU.)
5	9965 100 01236	MCD908 TOP COVER BRACKET
6	9965 100 01237	MCD908 DVD CABINET FRONT
7	9965 000 42533	DVD FRONT LENS PMMA
8	9965 000 42531	DVD DOOR
9	9965 000 42537	DVD STANDBY KNOB

AMP UNIT PARTS ASS'Y MCD908/12**9965 200 00112 AMP UNIT CASING PARTS ASS'Y MCD908/12**

35	9965 100 01139	MCD908 AMP CABINET METAL
36	9965 100 01140	MCD908 AMP TOP COVER(ALU.)
37	9965 100 01141	MCD908 AMP LAMP BRACKET(ALU.)
38	9965 100 01142	MCD908 AMP LAMP PALTE
39	9965 100 01143	MCD908 AMP CABINET FRONT
40	9965 100 01144	MCD908 BRACKET(ALU.) DECK CIR
41	9965 100 01145	MCD908 FAN BRACKET 48X56X12
42	9965 000 42521	VOL KNOB
43	9965 000 42520	AMP CABINET FRONT LENS
44	9965 000 42522	AMP SOURCE KNOB
45	9965 000 42523	AMP SOURCE BRACKET
46	9965 100 00820	MCD908 AMP TOP LENS ABS
47	9965 100 01146	MCD908 AMP CABINET BOTTOM
48	9965 100 01240	MCD908 SIDE PLATE-L SILVER
49	9965 100 01241	MCD908 SIDE PLATE-R SILVER
50	9965 000 42527	PCB-L PMMA
51	9965 000 42528	PCB-R PMMA
52	9965 000 42545	SIDE PLATE-L
53	9965 000 42529	SIDE PLATE-R
54	9965 100 00819	VOL KNOB

9965 200 00108 TRANSISTORS & IC

4558	9965 100 01147	IC D4558/RC4558 SOP
IC101	9940 000 04937	IC 7812
IC300	9965 100 00464	CHIP IC TDA8920(PACKING)
Q113	9965 000 42558	MOSFET BUK7509-55A
Q114	9965 000 42558	MOSFET BUK7509-55A

9965 200 00108 TRANSISTORS & IC

Q1	9965 100 01121	VACUUM TUBE 12AX7
Q2	9965 100 01121	VACUUM TUBE 12AX7
Q6	9940 000 04938	TRANSISTOR 2SB772A
U1	9940 000 04937	IC 7812
U3	9940 000 04952	IC PT2309-S(L)

9965 200 00109 MISCELLANEOUS

57	9965 100 00821	HEADPHONE JACK
58	9965 000 41645	ROT ENCODER
59	9965 100 00822	4PINS SPEAKER SOCKET
60	9965 100 00020	LIGHT TOUCH SW.
C12	9965 100 01150	MYLAR CAPACITOR 104P 280V K
C13	9965 100 01150	MYLAR CAPACITOR 104P 280V K
C14	9965 100 01152	ELE.CAPACITOR 1U 450V L-5
C15	9965 100 01152	ELE.CAPACITOR 1U 450V L-5
C16	9965 100 01151	METALLIZED CAP. 1u 250V
C17	9965 100 01151	METALLIZED CAP. 1u 250V
C5	9965 100 01153	CERAMIC CAPACITOR 223P 1000V L
C6	9965 100 01149	ELECTROLYTIC CAP. 100U 350V
C9	9965 100 01149	ELECTROLYTIC CAP. 100U 350V
DZ102	9965 100 01148	ZENER DIODE BZX-79-B24V52
DZ103	9965 100 01148	ZENER DIODE BZX-79-B24V52
F102	9965 100 00823	FUSE F6.3AL250V(50F)
F103	9965 100 00823	FUSE F6.3AL250V(50F)
LED1301X6	9940 000 04947	LED DIODE D3 3B4SCB01 (BLUE)
LED501X2	9965 000 42562	LED DIODE ORANGE
REL400	9940 000 04864	RELAY 10A 240VAC/30VDC
T401	9965 000 41017	TRASFO. EI-228A-12 230V/50

9965 200 00107 ACCESSORY PARTS ASS'Y MCD908/12

62	9965 000 41018	FM ANTENNA WIRE 1.5M
63	9940 000 05169	SPEAKER CORDS 3M
64	9965 100 00218	VIDEO CABLE 1.5m 3P RD WHI YEL
65	9965 000 42551	CONTROL CABLE WIRE 2.5/30P
66	9940 000 04988	AC LINE CORD 1.8M
67	9965 000 41615	ANTENNA HOLDER ASS'Y AM
68	9965 100 01154	REMOTE CONTROL ASS'Y PRC507-01
69	9965 100 01155	FREQ DIVIDER ASS'Y PH MCD908
70	9965 100 01156	SPEAKER BOX ASS'Y(L) MCD908/12
71	9965 100 01157	SPEAKER BOX ASS'Y(R) MCD908/12

Note: Only these parts mentioned in the list are normal service parts.

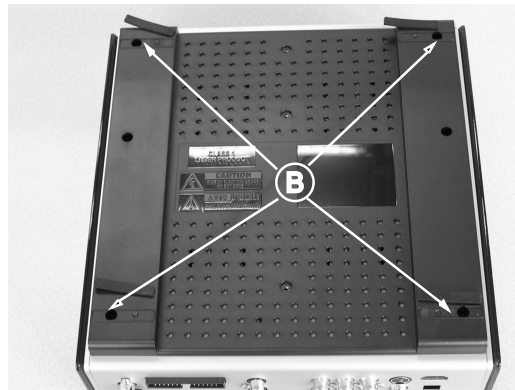
DISASSEMBLY DIAGRAM

Dismantling of the Plastic Bottom

1) Loosen 5 screws as indicated.

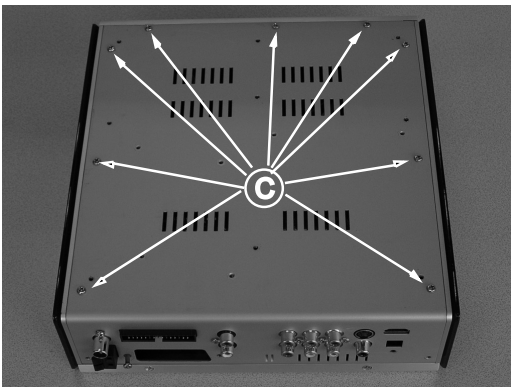


2. Remove 4 rubber feet and loosen 4 screws to remove plastic bottom.

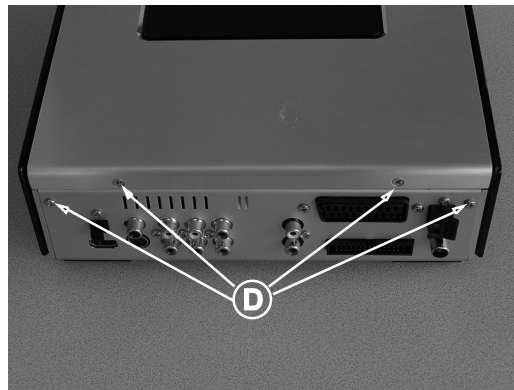


Dismantling of the Top Cabinet and Mecha. bottom Cabinet

3) Loosen 9 screws as indicated first.



4) Then Loosen 4 screws .



Version list

V1.0 for version /98/93

V1.1 add partlist of version /12

V1.2 new version /37 added.

V1.3 Add disassembly diagram & Correct 9965 100 01121 to VACUUM TUBE (Q1,Q2).

ZHONGSHAN SHI NEON ELECTRONIC FACTORY LTD

BOM COMPONENT LIST

PH-MCD908-12						
BOM NUMBER:	PH-MCD908-12					
PART NUMBER	DESCRIPTION	QTY.	UNIT	LOCATION	REMARK	
09-MCD908-01A101	DVD UNIT PARTS ASS'Y MCD908/12	1	SET			
07-MCD908-06A101	DISPLAY PCB ASS'Y MCD908/12	1	SET			
I3000520	CARBON FILM RESISTOR 3.3 1/2W-52	2	PCS	R603, R604		L06-008-011
I3000186	CARBON FILM RESISTOR 1K 1/8W J-52	1	PCS	R614		
I3000401	CARBON FILM RESISTOR 4.7K 1/8W J-52	1	PCS	R613		
I4000386	CHIP CERAMIC CAP. 104P 50V M (0805) Y5V	4	PCS	C602-605		
I3000070	CHIP RESISTOR 10K 1/16W J (0805)	2	PCS	R609, 610		
I3000117	CHIP RESISTOR 33K 1/16W J (0805)	4	PCS	R605-608		
I3000124	CHIP RESISTOR 4.7K 1/16W J (0805)	1	PCS	R601		
I3000127	CHIP RESISTOR 47K 1/16W J (0805)	1	PCS	R602		
I4000321	ELECTROLYTIC CAP. 47u 16V L-5 5X11	2	PCS	C601, 606		
I6000018	DIODE 4148-52	3	PCS	D601-603		
I6000038	LED LAMP(BLUE) 3R4CB71D-2B-208	1	PCS	LED601		
I9000163	IC PT6311/SCI16311/CD16311	1	PCS	IC601		
29000227	VFD DISPLAY NE-705D-2.GB	1	PCS	VFD701		S06-008-047
I3000121	CHIP RESISTOR 47 1/16W J (1206)	1	PCS	R611		
23000032	LIGHT TOUCH SW. TC103 H5	8	PCS	SW601-608		
21000001	IR SENSOR BLACK(SMALL)	1	PCS	S601		
35-MCD908-06A1	DISPLAY PCB MCD908-06	1	PCS			
07-MCD908-02A101	CPU PCB ASS'Y MCD908/12	1	SET			
I3000058	CHIP RESISTOR 0 1/16W J (0805)	1	PCS	R237		
I3000060	CHIP RESISTOR 0 1/4W J (1206)	3	PCS	R238-240		
I3000180	CARBON FILM RESISTOR 100 1/4W J-52	2	PCS	R226, 225		
I3000645	CHIP RESISTOR 100K 1/16W J(0603)	4	PCS	R216, 215, 218, 217		
I4000667	CHIP CERAMIC CAP.100P 50V K (0603) X7R	3	PCS	C219, 218, 225		
I4000203	ELECTROLYTIC CAP. 100u 16V L-5 8X5	2	PCS	C234, 205		
I5000010	FIXED INDUCTOR 100uH	1	PCS	L202		
I4000668	CHIP CERAMIC CAP. 102P 50V K (0603) X7R	1	PCS	C291		
I4000669	CHIP CERAMIC CAP.103P 50V K (0603) X7R	2	PCS	C253, 252		
I4000382	CHIP CERAMIC CAP. 104P 50V M (0603) Y5V	9	PCS	C212, 211, 210, 209, 288, 287, 246, 247		
I4000021	CERMIC CAP. 104P 50V K-5	2	PCS	C250, 248		
I4000484	CHIP CAPACITOR 104P 100V M (1206) Y5V	1	PCS	C245		
I3000646	CHIP RESISTOR 10K 1/16W J(0603)	16	PCS	R258, 200-207, 295-299, 210, 209		
I3000070	CHIP RESISTOR 10K 1/16W J (0805)	1	PCS	R212		
I4000181	ELECTROLYTIC CAP. 10u 25V L-5 5X11	1	PCS	C299		
I3000242	CARBON FILM RESISTOR 15 1/2W J-52	1	PCS	R234		
I4000745	CHIP CERAMIC CAP. 15P 50V J (0603) NPO	2	PCS	C297, 296		

I3000186	CARBON FILM RESISTOR 1K 1/8W J-52	2	PCS	R232, 231	
I3000661	CHIP RESISTOR 1K 1/16W J(0603)	10	PCS	R277-282, 285, 286, 274, 271	
I3000667	CHIP RESISTOR 2.2K 1/16W J(0603)	5	PCS	R289, 241, 242, 284, 283	
I4000234	ELECTROLYTIC CAP. 2.2u 50V L-5 5X11	11	PCS	C213, 214, 200, 281-286, 255, 254	
I3000293	CARBON FILM RESISTOR 220 1/2W J-52	1	PCS	R220,	
I4000656	ELE. CAPACITOR 220u 35V L-5 105° C 8X11.5	1	PCS	C217	
I4000256	ELECTROLYTIC CAP. 220u 16V L-5 6.3X11	1	PCS	C206	
I3000303	CARBON FILM RESISTOR 22K 1/8W J-52	1	PCS	R222	
I4000238	ELECTROLYTIC CAP. 22u 16V L-5 5X11	1	PCS	C295	
I9000024	I. C. AT24C01/AT24C02 2.7V(SOP PACKING)	1	PCS	IC208	
I4000895	CHIP CERAMIC CAP. 272P 50V K(0603)X7R	2	PCS	C290, 289	
25000009	PINS CONNECTOR 2.0/2P	2	PCS	CN237, 217	
I4000419	CHIP CERAMIC CAP. 330P 50V K (0603) X7R	10	PCS	C243, 242, 241, 239, 216, 220-224	
25000075	PIN CONNECTOR 30P BENDING L=8.8mm	1	PCS	CN220	
I4000876	CHIP CERAMIC CAP. 30P 50V J (0603) NPO	2	PCS	C294, 293	
22000021	CRYSTAL OSC FREQ. 32.768KHz Φ 3XH8 \pm 10PPM	1	PCS	X204	
I4000548	CAPACITOR 3300u 35V L 105°C 16X30	1	PCS	C208	
25000049	PINS CONNECTOR 2.0/8P	1	PCS	CN213	
I4000641	CHIP CERAMIC CAP. 330P 50V K (1206) X7R	1	PCS	C201	
25000014	PINS CONNECTOR 2.0/3P	1	PCS	CN221	
22000018	CERMIC FILTER FREQUENCY 4.19mHz	1	PCS	X203	
22000009	CRYSTAL 4.332mHz 49U	1	PCS	X205	
I3000014	CARBON FILM RESISTOR 4.7 1/4W J-52	1	PCS	R228	
I3000697	CHIP RESISTOR 4.7K 1/16W J(0603)	5	PCS	R293, 292, 291, 227, 290,	
I6000058	ZENER DIODE 3.3V 1/2W-52	1	PCS	DZ204	
I6000089	ZENER DIODE 27V 1/2W-52	1	PCS	DZ205	
I6000104	RECTIFIER DIODE 4001-52	2	PCS	D213, 212	
I6000110	RECTIFIER DIODE 5401	4	PCS	D201-204	
I6000018	DIODE 4148-52	4	PCS	D210, 207, 208, 209	
I4000867	CHIP CERAMIC CAP. 470P 50V K (0603) X7R	2	PCS	C236, 235	
I4000351	ELECTROLYTIC CAP. 470u 25V L 8X16	1	PCS	C215	
I3000125	CHIP RESISTOR 47K 1/16W J (0603)	3	PCS	R257, 243, 244	
I4000677	CHIP CERAMIC CAP. 47P 50V J(0603)NPO	1	PCS	C203	
I4000321	ELECTROLYTIC CAP. 47u 16V L-5 5X11	2	PCS	C292, 251, 298	
I4000420	CHIP CERAMIC CAP. 330P 50V K (0805) X7R	4	PCS	C228, 227, 226, 207	
I3000675	CHIP RESISTOR 22K 1/16W J(0603)	5	PCS	R211, 208	
I3000664	CHIP RESISTOR 1M 1/16W J(0603)	5	PCS	R221	
I3000699	CHIP RESISTOR 470 1/16W J(0603)	5	PCS	R214, 256	
I3000293	CARBON FILM RESISTOR 220 1/2W J-52	1	PCS	R235	
I6000110	RECTIFIER DIODE 5401	4	PCS	D201-204	
I4000877	CHIP CERAMIC CAP. 560P 50V K (0603) X7R	1	PCS	C202	

25000016	PINS CONNECTOR 2. 5mm3P		1	PCS	CN219	
25000025	PINS CONNECTOR 2. 0/4P		2	PCS	CN218, 216	
25000040	SPEAKER SOCKET DJ-270-DH-03		2	PCS	CN212, 213	
25000034	PINS CONNECTOR 2. 0/5		2	PCS	CN211, CN215	
14000234	ELECTROLYTIC CAP. 2.2u 50V L-5 5X11		1	PCS	C200	
13000791	CHIP RESISTOR 68K 1/16W J (0603)		1	PCS	R294	
19000102	IC LM7805/LM340T5 7805		1	PCS	IC212	
19000115	IC CHMC 78L05		1	PCS	IC207	
17000022	TRANSISTOR 8050C		2	PCS	Q216, 215	
17000004	CHIP TRANSISTOR 8050 (SOT-23)		1	PCS	Q219	
14000757	CHIP CERAMIC CAP. 82P 50V J (0603) NPO		1	PCS	C204	
17000028	TRANSISTOR 8550-C		3	PCS	Q222, 212, 211	
13000717	CHIP RESISTOR 8.2K 1/16W J (0603)		2	PCS	R230, 229	
17000009	CHIP TRANSISTOR 9014 (SOT-23)		1	PCS	Q221	
17000082	CHIP TRANSISTOR 9015		1	PCS	Q220	
16000077	ZENER DIODE 9. 1V 1/2W		1	PCS	DZ203	
19000185	IC AC6811 (RDS)CHIP		1	PCS	IC209	
16000115	DIODE IN60 L26		1	PCS	D211	
19000077	IC PT2313L		1	PCS	IC213	
24000070	RCA SOCKET 2p AV2-8. 4-13 RED WHITE		1	PCS	J200	
19000087	IC PT2579-SN SMALL		1	PCS	IC211	
26000002	△FUSE F2AL250V		1	PCS	F201	
26000051	△FUSE HOLDER (PLASTIC)		1	PCS	F201	
35-MCD908-02A1	CPU PCB MCD908-02		1	PCS		
07-MCD908-13A101	LAMP PCB ASS'Y MCD908-13		6	SET		
13000833	CHIP RESISTOR 680 1/4W J (1206)		1	PCS	R1301	
16000035	LED DIODE Φ3 3B4SCB01 (BLUE)		1	PCS	LED1301	
35-MCD908-13A1	LENS PCB MCD908 MCD908-13		1	PCS		
07-MCD908-15A101	SCATR PCB ASS'Y MCD908		1	SET		
13000530	CHIP RESISTOR 100 1/4W J (1206)		2	PCS	R1506, 1507	
13000070	CHIP RESISTOR 10K 1/16W J (0805)		3	PCS	R1504, 1505,	
25000056	PINS CONNECTOR 2. 0/10P		1	PCS	CNI502	
25000082	SCART 21 PINS SOCKET SCART-113 (H/AO HUT)		1	PCS	J1501	
35-MCD908-15A1	SCART PCB MCD908-15		1	PCS		
07-MCD908-11A101	OPTICAL TERMINAL PCB ASS'Y MCD908		1	SET		
24000038	OPTICAL & COAXIAL TERMINAL AV-CQ-05		1	PCS	JACK1301	
25000014	PINS CONNECTOR 2. 0/3P		1	PCS	CNI301	
35-MCD908-11A1	OPTICAL TERMINAL PCB MCD908-11		1	PCS		
07-MCD908-16A101	USB PCB ASS'Y MCD908		1	SET		
24000019	USB A-TYPE 4 P FEMALE 90° DIP TYPE		1	PCS		
35-MCD908-16A1	USB PCB MCD908-16 MCD908		1	PCS		

07-EC06-04A101	TUNER BOARD PCB ASS'Y EC06-04 CE	1 SET	1 SET
I2000095	I. F. T. COIL BLACK 6295	1 PCS	T7
I2000093	I. F. T. COIL BROWN 6296	1 PCS	T5
I2000091	I. F. T. COIL YELLOW 6297	2 PCS	T2, 3
I2000090	I. F. T. COIL BLACK 6298	1 PCS	T1
I2000092	I. F. T. COIL BLACK 6299	1 PCS	T4
I3000038	CHIP RESISTOR 0 1/16W J (0805)	5 PCS	R9, 44, J2, 37, 40
I3000060	CHIP RESISTOR 0 1/4W J (1206)	1 PCS	R45
I3000637	CHIP RESISTOR 0 1/16W J(0603)	1 PCS	J3
20000008	FM CERMIC FILTER 10.7MHZ3 PLNS	3 PCS	CF2, CF1, CF4
I3000641	CHIP RESISTOR 100 1/16W J(0603)	1 PCS	R41
34000046	SEMI-FIXED RESISTOR 100 K OHM SF-065J-B1	1 PCS	RV1
I3000645	CHIP RESISTOR 100K 1/16W J(0603)	2 PCS	RI3, I2
I4000199	ELECTROLYTIC CAP. 100u 16V L-5 5X11	3 PCS	C10, C9, C41
I4000375	CHIP CERAMIC CAP. 102P 50V K (0805) X7R	1 PCS	C20
I4000668	CHIP CERAMIC CAP. 102P 50V K (0603) X7R	1 PCS	C14
I4000380	CHIP CERAMIC CAP. 103P 50V M (0805) Y5V	1 PCS	C13
I4000386	CHIP CERAMIC CAP. 104P 50V M (0805) Y5V	4 PCS	C8, 4, 2, 5
I4000382	CHIP CERAMIC CAP. 104P 50V M (0603) Y5V	2 PCS	C7, 3
I3000646	CHIP RESISTOR 10K 1/16W J(0603)	1 PCS	R32
I4000518	CAPACITOR 10u 25V L 4X7	1 PCS	C1
I4000478	TRIMMER CAP. 10p M TC03Z100H169B00	1 PCS	CT1
I3000080	CHIP RESISTOR 120 1/16W J(0805)	1 PCS	R4
I3000885	CHIP RESISTOR 120 1/4W J(1206)	1 PCS	R3
I3000800	CHIP RESISTOR 120 1/16W J(0603)	2 PCS	R2, 1
I4000670	CHIP CERAMIC CAP. 12P 50V J (0603) NPO	1 PCS	C15
I4000392	CHIP CERAMIC CAP. 12p 50V J(0805) NPO	1 PCS	C36
I3000656	CHIP RESISTOR 150 1/16W J(0603)	1 PCS	R30
I3000658	CHIP RESISTOR 150K 1/16W J(0603)	1 PCS	R14
I4000743	CHIP CERAMIC CAP. 153P 50V M (0603) Y5V	2 PCS	C40, 39
I4000395	CHIP CERAMIC CAP. 15p 50V J(0805) NPO	1 PCS	C31
I3000661	CHIP RESISTOR 1K 1/16W J(0603)	2 PCS	R46, 47
I3000664	CHIP RESISTOR 1M 1/16W J(0603)	2 PCS	RI7, I6
I4000653	ELE. CAPACITOR 1u 50V L-5 105°C 4X7	2 PCS	C29, 28
I4000894	CERMIC CAP. 1U 50V L-5	1 PCS	C21
I3000101	CHIP RESISTOR 2.2K 1/16W J (0805)	1 PCS	R8
I4000652	ELE. CAPACITOR 2.2u 50V L-5 105°C 4X7	1 PCS	C30
I3000095	CHIP RESISTOR 22 1/16W J (0805)	1 PCS	R35
I3000098	CHIP RESISTOR 220 1/16W J (0805)	1 PCS	R10
I4000741	CHIP CERAMIC CAP. 220P 50V K (0603) X7R	3 PCS	C18, I7, I6
I4000407	CHIP CERAMIC CAP. 222P 50V K (0805) X7R	1 PCS	C19

L06-008-011

I4000410	CHIP CERAMIC CAP. 223P 50V M(0805) Y5V	1 PCS	C34	L06-008-011
I4000756	CHIP CERAMIC CAP. 224P 50V M (0603) Y5V	6 PCS	C25, 24, 23, 22, 42, 43	
I3000103	CHIP RESISTOR 22K 1/8W J (0805)	1 PCS	R20	
I3000675	CHIP RESISTOR 22K 1/16W J(0603)	1 PCS	R18	
I4000658	ELE. CAPACITOR 22μ 16V L-5 105° C 4X7	1 PCS	C35	
I3000667	CHIP RESISTOR 2.2K 1/16W J(0603)	1 PCS	R27	
I4000882	CHIP CERAMIC CAP. 2P 50V J(0603) NPO	1 PCS	C38	L06-008-011
I3000113	CHIP RESISTOR 330 1/16W J (0805)	1 PCS	R7	
I3000689	CHIP RESISTOR 330 1/16W J(0603)	2 PCS	R6, 5	
I4000420	CHIP CERAMIC CAP. 330P 50V K (0805) X7R	1 PCS	C6	L06-008-011
I4000418	CHIP CERAMIC CAP. 33P 50V J (0805) NPO	1 PCS	C11	L06-008-011
I6000048	CHIP ZENER DIODE BZX384-C11 11V	1 PCS	DZ1	
I3000697	CHIP RESISTOR 4.7K 1/16W J(0603)	2 PCS	R42, 43	
I3000120	CHIP RESISTOR 47 1/16W J 0805	1 PCS	R26	
I3000699	CHIP RESISTOR 470 1/16W J(0603)	3 PCS	R21-23	
I4000676	CHIP CERAMIC CAP. 474P 50V M (0603) Y5V	1 PCS	C32	
I4000443	CHIP CERAMIC CAP. 560P 50V K (0805) X7R	1 PCS	C37	
I4000676	CHIP CERAMIC CAP. 474P 50V M (0603) Y5V	2 PCS	C27, 26	
I3000127	CHIP RESISTOR 47K 1/16W J (0805)	1 PCS	R34	
I3000125	CHIP RESISTOR 47K 1/16W J (0603)	2 PCS	R25, 24	
I3000124	CHIP RESISTOR 4.7K 1/16W J (0805)	1 PCS	R33	
I25000025	PINS CONNECTOR 2.0/4P	1 PCS	CN1	
I3000133	CHIP RESISTOR 56K 1/16W J (0805)	1 PCS	R11	
I25000034	PINS CONNECTOR 2.0/5	1 PCS	CN2	
I3000791	CHIP RESISTOR 68K 1/16W J (0603)	1 PCS	R31	
I22000011	CRYSTAL 75KHz ±20PPm Φ3.0	1 PCS	X1	
I3000719	CHIP RESISTOR 820 1/16W J(0603)	2 PCS	R29, 28	
I4000447	CHIP CERAMIC CAP. 82p 50V J(0805) NPO	1 PCS	C33	
I7000009	CHIP TRANSISTOR 9014 (SOT-23)	2 PCS	Q1, 5	
I6000047	CHIP DIODE BAS316	1 PCS	D2	
I7000018	TRANSISTOR BC547C-5	1 PCS	Q3	
I7000001	CHIP TRANSISTOR BC857B(SOT23)	1 PCS	Q2	
I6000010	VARIABLE DIODE HNV02H SOP8	1 PCS	D3	
I32000013	FM TUNER KST-F404HA-11A	1 PCS	TUNE1	
I9000042	IC TEA5762	1 PCS	IC1	
I24000279	ANT. LEADING-OUT TERMINAL WP2-4C	1 PCS	JACK1	
I25000187	SINGLE JUMPER WIRE AWG#26 L=60mm BROWN	1 PCS		L06-008-011
I35-EC06-04A1	RADIO PCB EC06-04	1 PCS		
I08-MCD759-01A101	DVD DISC ASS'Y MCD759	1 SET		
I31000066	DVD MECHANISM SONY KHM-313AAA OPTICAL	1 PCS		
I31000043	DVD BRACKET RT-656n	1 PCS		

36000265	DVD MECHANISM SHOCKPROOF WASHER BLUE	4	4	PCS	DVD MECHANISM
38000424	SCREW 2.6 X10 PWTH (Φ10) NICKEL-PLATE	4	4	PCS	DVD MECHANISM
04-MCD908-01A101	MCU PARTS ASS'Y MCD908/12	1	1	SET	
I9000169	CPU U252(3P9228 XYZ-CAN CHANGE)	1	1	PCS	IC210
45-MCD908-01A101	MCD908/12 CPU SOFTWARE(V1.0)	1	1	PCS	
04-MCD908-02A101	DECODER CARD ASS'Y MCD908/12	1	1	SET	
32000266	DVD DEORDER BOARD 89DH18(2.0CH)	1	1	PCS	
46-MCD908-01A101	MCD908/12 DVD SOFTWARE(2.ICH)	1	1	PCS	
08-MCD908-01A101	DVD UNIT CASING PARTS ASS'Y MCD908/12	1	1	SET	
37-MCD908-01A101	MCD908 DVD CAB. METAL BOTTOM	1	1	PCS	
37-MCD908-02A101	MCD908 DVD TOP COVER(ALU.)	1	1	PCS	
39-MCD908-01A101	MCD908 DVD CABINET FRONT ABS	1	1	PCS	
39-MCD908-02A101	MCD908 DVD FRONT LENS PMMA	1	1	PCS	
39-MCD908-04A101	MCD908 DVD DOOR ABS	1	1	PCS	
39-MCD908-05A101	MCD908 DVD STANDBY KNOB	1	1	PCS	
39-MCD908-06A101	MCD908 DVD OPEN/CLOSE KNOB ABS	1	1	PCS	
39-MCD908-07A101	MCD908 DVD DSC KNOB ABS	1	1	PCS	
39-MCD908-08A101	MCD908 DVD PLAY/STOP KNOB ABS	1	1	PCS	
39-MCD908-09A101	MCD908 DVD FUNCTION KNOB ABS	1	1	PCS	
39-MCD908-10A100	MCD908DVD FUNCTION KNOB BRACKET	1	1	PCS	
39-MCD908-11A100	MCD908DVD KNOB BRACKET ABS	1	1	PCS	
39-MCD908-12A100	MCD908DVD STANDBY KNOB BRACKET ABS	1	1	PCS	
39-MCD908-13A101	MCD908 DVD TOP LAMP ABS	1	1	PCS	
39-MCD908-14A100	MCD908 DVD MECHANISM BRACKET ABS	1	1	PCS	
39-MCD908-15A101	MCD908 DVD CABINET BOTTOM	1	1	PCS	
39-MCD908-16A100	MCD908 SIDE PLATE-L ABS	1	1	PCS	
39-MCD908-17A100	MCD908 SIDE PLATE-R ABS	1	1	PCS	
39-MCD908-18A100	MCD908 PCB-L PMMA	1	1	PCS	
39-MCD908-19A100	MCD908 PCB-R PMMA	1	1	PCS	
40000262	MCD908 SIDE PLATE-L	1	1	PCS	
40000263	MCD908 SIDE PLATE-R	1	1	PCS	
38000091	SCREW 2.6 X 5 PMTT BLACK	8	8	PCS	PLASTIC CAB. BOTTOM
38000013	SCREW 3 X 5 PMTT SILVER	8	8	PCS	CPU PCBX4, DECODER CARDX4
38000231	SCREW 3 X 12 BT NICKEL-PLATE	2	2	PCS	MECHANISM BRACKET TO PANELX2
38000288	SCREW 3 X 11 BMTT SILVER	2	2	PCS	MECHANISM BRACKET TO METAL_POLEX2
38000564	SCREW 3X10 BT WHITE	10	10	PCS	MECHANISM BRACKET TO MECHANISM BRACKETX4, L&R SIDE PLATEX6
38000654	SCREW 2.6 X 5 BMTT NICKEL-PLATE	2	2	PCS	TOP LENS
38000279	SCREW 3 X 6 BMTT NICKEL-PLATE	4	4	PCS	TOP LENS X2, CAB. TOP & CAB. BOTTOM X2
38000071	SCREW 3 X 6 FMTT Φ6 NICKEL-PLATE	2	2	PCS	CAB. TOP & BACK PLATE
38000489	SCREW 3 X 8 PA NICKEL-PLATE	8	8	PCS	L&R SIDE & WOOD BLOCK
38000102	SCREW 2.6 X 8 X PA SILVER	9	9	PCS	DISPLAY PLATE X9

38000117	SCREW 3 X 12 PA SILVER		10	PCS	DVD UNIT TERMINALX10	
25000935	FLAT FLEX CABLE 24PX120X0.5XA		1	PCS		
25002132	30WIRE 150 2P		4	PCS		
25002131	28WIRE 270 230 2.0/9P 2.0/3P 2.0/6P		1	PCS		
25002133	28WIRE 260 2.0/4PX2		1	PCS		
25002134	28WIRE 150 2.0/5PX2		1	PCS		
25001324	28#WIRE 120 2.0/6PX2		1	PCS		
25002135	28WIRE 250 2.0/8PX2 2.0/5P		1	PCS		
25002136	28WIRE+28WIRE 50 2.0/4PX2		1	PCS		
25002138	20WIRE 70 2.5/3PX2		1	PCS		
25001321	28#WIRE 50 2.0/3PX2		1	PCS		
25002139	28WIRE 120 2.0/10PX2		1	PCS		
25002141	26WIRE 70 2.0/4PX2		1	PCS		
25000437	26# WIRE 70 2.0/5PX2		1	PCS		
09-MCD908-02A101	AMP UNIT PARTS ASS'Y MCD908/12		1	SET		
07-MCD908-03A101	AMP PCB ASS'Y MCD709		1	SET		
15000019	FIXED INDUCTOR 22u(7A)		2	PCS	L300, 301	
13000063	CHIP RESISTOR 10 1/4W J (1206)		2	PCS	R319, 320	
13000640	CHIP RESISTOR 10 1/16W J(0603)		2	PCS	R317, 318	
13000178	CARBON FILM RESISTOR 100 1/8W J-52		1	PCS	R321	
14000189	ELECTROLYTIC CAP. 10u 50V L-5 5X11		1	PCS	C300	
14000208	ELECTROLYTIC CAP. 100u 25V L-5 6.3X11		1	PCS	C338	
14000668	CHIP CERAMIC CAP. 102P 50V K (0603) X7R		10	PCS	C330, 332, 329, 327, 331, 324, 335, 336	
14000382	CHIP CERAMIC CAP. 104P 50V M (0603) Y5V		11	PCS	C355, 356, 360-364, 359-371, 373	
14000450	NONINDUCTIVE CAP. 104J 100V K		4	PCS	C368, 367, 374, 376	
13000219	CARBON FILM RESISTOR 120 1/8W J-52		1	PCS	R322	
14000743	CHIP CERAMIC CAP. 153P 50V M (0603) Y5V		1	PCS	C377, 379, 381	
25000012	PINS CONNECTOR 2.5/2P		1	PCS	CN303	
13000671	CHIP RESISTOR 22 1/16W J(0603)		1	PCS	R310	
13000096	CHIP RESISTOR 22 1W J (2512)		2	PCS	R311, 312	
14000741	CHIP CERAMIC CAP. 220P 50V K (0603) X7R		6	PCS	C345, 347, 354, 353, 350, 348	
14000256	ELECTROLYTIC CAP. 220u 16V L-5 6.3X11		1	PCS	C393	
14000756	CHIP CERAMIC CAP. 224P 50V M (0603) Y5V		1	PCS	C392	
13000653	CHIP RESISTOR 130K 1/16W J(0603)		1	PCS	R316	
14000678	NONINDUCTIVE CAPACITOR 334J 100V K-5		1	PCS	C382, 383	
13000697	CHIP RESISTOR 4.7K 1/16W J(0603)		1	PCS	R300	
16000104	RECTIFIER DIODE 4001-52		2	PCS	D301, 300	
14000663	ELE. CAPACITOR 470u 35V L 105° C 10X16		2	PCS	C387, 388	
14000676	CHIP CERAMIC CAP. 474P 50V M (0603) Y5V		4	PCS	C339, 341, 342, 344	
13000675	CHIP RESISTOR 22K 1/16W J(0603)		2	PCS	R314, 315	
14000336	ELECTROLYTIC CAP. 47u 35V L-5 5X11		2	PCS	C390, 389	

14000342	ELECTROLYTIC CAP. 47u 63V L-5 6.3X11	1	PCS	C384	
25000029	PINS CONNECTOR 2. 5/4P	1	PCS	CN300	
16000068	ZENER DIODE 5. 1V 1/2W-52	1	PCS	D2300	
13000705	CHIP RESISTOR 5. 6K 1/16WJ(0603)	5	PCS	R306, 308, 305, 309, 304	L06-008-011
13000667	CHIP RESISTOR 2. 2K 1/16W J(0603)	1	PCS	R303	L06-008-011
25000051	PINS CONNECTOR 2. 5/8P	1	PCS	CN301	L06-008-011
17000005	CHIP TRANSISTOR BC817-25	1	PCS	Q300	
33000018	FERRITE BEAD JRH0349 BLUE	2	PCS	L303, 304	
19000120	CHIP IC TDA8920(PACKING)	1	PCS	IC300	
36000685	MICA INSULATION SHEET 14.5X11	2	PCS		
35-MCD908-03A1	AMP PCB MCD908-03	1	PCS		
37-MCD908-07A100	HEAT SINK MCD908 L=55	1	PCS		
36000685	MICA INSULATION SHEET 14.5X11	1	PCS		
39-MCD705-40A100	PLASTICI PIPE H=3.7	2	PCS		
38000231	SCREW 3 X 12 BT NICKEL-PLATE	2	PCS		
07-MCD908-04A101	POWER CONTROL PCB ASS'Y MCD908/12	1	SET		
11000187	△TRANSFORMER ECO-228A-12 230V/50	1	PCS	T401	
34000012	RELAY 10A 240VAC-30VDC HLS-14F1L-DC12V-C	1	PCS	REL400	
16000104	RECTIFIER DIODE 4001-52	4	PCS	D400-404	
14000384	CHIP CERAMIC CAP.104P 50V K (0805) X7R	1	PCS	C400	
13000117	CHIP RESISTOR 33K 1/16W J (0805)	1	PCS	R400	
13000793	CHIP RESISTOR 4. 7K 1/4W J (1206)	1	PCS	R402	
13000851	METAL OXIDE FILM RESISTOR 39 1/4W J-52	1	PCS	R401	
17000025	TRANSISTOR 8050C-5	1	PCS	Q400	
14000256	ELECTROLYTIC CAP. 220u 16V L-5 6.3X11	1	PCS	C401	
25000012	PINS CONNECTOR 2. 5/2P	1	PCS	CN401	
25001581	PIN SOCKET 3. 95/3P	1	PCS	CN402	
25000014	PINS CONNECTOR 2. 0/3P	1	PCS	CN400	
35-MCD908-04A1	ECO POWER PCB MCD908-04 ECO	1	PCS		
07-MCD908-01A101	POWER PCB ASS'Y MC908/12/37	1	SET		
14000199	ELECTROLYTIC CAP. 100u 16V L-5 5X11	1	PCS	CI17	L06-008-011
14000669	CHIP CERAMIC CAP. 103P 50V K (0603) X7R	1	PCS	CI06	
14000452	NONINDUCTIVE CAP. 104J 100V K-5	7	PCS	CI39, I40, I34, I35, I53, I54, I55	L06-008-011
13000070	CHIP RESISTOR 10K 1/16W J(0603)	2	PCS	RI50, I51	
13000646	CHIP RESISTOR 10K 1/16W J(0603)	8	PCS	RI59, I29, I30, I32, I34, I25, I60, I33	
13000068	CHIP RESISTOR 1K 1/4W J (1206)	1	PCS	RI41	
13000664	CHIP RESISTOR 1M 1/16W J(0603)	1	PCS	RI35	
13000314	CARBON FILM RESISTOR 2. 2 1/4W J-52	2	PCS	RI62, I63	
13000667	CHIP RESISTOR 2. 2K 1/16W J(0603)	1	PCS	RI38	
13000876	CHIP RESISTOR 2. 7K 1/4W J(1206)	1	PCS	RI75	
13000290	CARBON FILM RESISTOR 220 1/8W J-52	1	PCS	RI37	

I3000105	CHIP RESISTOR 220K 1/16W J (0603)		1	PCS	R136		
I4000647	ELECTROLYTIC CAP. 220µF 25V L-5 105° C 8X9		1	PCS	C157		L06-008-011
I4000681	ELECTROLYTIC CAPACITOR220u50VL-5 10X12.5		2	PCS	C121, 122		
I3000683	CHIP RESISTOR 3.3K 1/16W J(0603)		2	PCS	R173, 174		
25000051	PINS CONNECTOR 2.5/8P		1	PCS	CNI09		
25000020	PIN SOCKET 3.95/3P		1	PCS	CNI10		
25000075	PIN CONNECTOR 30P BENDING L=8.8mm		1	PCS	CNI04		
25000014	PINS CONNECTOR 2.0/3P		1	PCS	CNI02		
25000034	PINS CONNECTOR 2.0/5		1	PCS	CNI08		L06-008-011
I3000697	CHIP RESISTOR 4.7K 1/16W J(0603)		1	PCS	R140		
I3000793	CHIP RESISTOR 4.7K 1/4W J (1206)		1	PCS	R139		
I4000306	ELECTROLYTIC CAP. 4.7u 50V L-5 5X11		2	PCS	C105, 103		
I6000104	RECTIFIER DIODE 4001-52		4	PCS	D108, 109, 102, 107		L06-008-011
I6000016	DIODE4148		1	PCS	D110		
I3000147	CEMENT RESISTOR 47 5W J		1	PCS	R161		L06-008-011
I4000361	ELECTROLYTIC CAP4700u 35V L105° C 18X35.5		2	PCS	C151, 152		
I4000675	CHIP CERAMIC CAP. 473P 50V M (0603) Y5V		1	PCS	C156		
I3000406	CARBON FILM RESISTOR 47K 1/8W J-52		1	PCS	R113		
I3000731	CHIP RESISTOR 47K 1/4W J(1206)		1	PCS	R122		
I3000125	CHIP RESISTOR 47K 1/16W J (0603)		2	PCS	R106, 110		
I3000712	CHIP RESISTOR 680 1/16W J(0603)		2	PCS	R172, 171		
I9000112	IC 7812		1	PCS	IC101		
25000973	PIN SOCKET 2.0/13P		1	PCS	CNI08		
25000046	PINS CONNECTOR 2.5/7P		1	PCS	CNI07		
I7000009	CHIP TRANSISTOR 9014 (SOT-23)		2	PCS	Q111, 110		
I7000013	TRANSISTOR 2SB772A		1	PCS	Q118		
I7000005	CHIP TRANSISTOR BC817-25		1	PCS	Q119		
I7000049	CHIP RESISTOR BC847B(SOT23)		1	PCS	Q117		
I7000001	CHIP TRANSISTOR BC857B(SOT23)		2	PCS	Q116, 115		
I8000013	MOSFET BUK7509-55A		2	PCS	Q113, 114		
I6000085	ZENER DIODE BZX-79-B24V-52		2	PCS	DZ102, 103		
26000009	△FUSE F6.3AL250V(50F)		2	PCS	F102, 103		
26000051	△FUSE HOLDER(PLASTIC)		2	PCS	F102, 103		
24000115	SINGLE RCA SOCKET AV-8.4-0.8B BLACK		1	PCS	F100		
I8000010	THYRISTOR RS1010G(10A)		1	PCS	DB101		
35-MCD908-01A1	POWER PCB MCD908-01		1	PCS			
07-MCD908-00A101	PRE-AMP PCB ASS'Y PH-MCD908/12		1	SET			
I3000156	CARBON FILM RESISTOR 0.47 1/2W J		3	PCS	R50, 2, 22		
I3000530	CHIP RESISTOR 100 1/4W J(1206)		1	PCS	R37		
I4000021	CERMIC CAP. 104P 50V K-5		1	PCS	C3		
I3000193	CARBON FILM RESISTOR 10K 1/8W J-52		1	PCS	R6		

I3000071	CHIP RESISTOR 10K 1/4W J (1206)		1	PCS	R75,	
I3000878	CARBON FILM RESISTOR 150K 1/2W J-52		2	PCS	R61, 60	
I3000905	CHIP RESISTOR100K 2. 2K 1/4W J (1206)		2	PCS	R70, 71	
I3000070	CHIP RESISTOR 10K 1/16W J (0805)		1	PCS	R53	L06-008-011
I3000902	CARBON FILM RESISTOR 3.3K 1/2W J-52		3	PCS	R57, 56, 23	
I3000429	CARBON FILM RESISTOR 560 1/2W J		2	PCS	R62, 63,	
I3000067	CHIP RESISTOR 1K 1/16W J (0805)		1	PCS	R7	
I3000067	CHIP RESISTOR 1K 1/16W J (0805)		1	PCS	R31	L06-008-011
I3000731	CHIP RESISTOR 47K 1/4W J(1206)		2	PCS	R69, 67	
I3000116	CHIP RESISTOR 3.3K 1/4W J (1206)		2	PCS	R66, 68	
I3000113	CHIP RESISTOR 330 1/16W J (0805)		2	PCS	R29, 30	
I3000903	CARBON FILM RESISTOR 330K 1/2W J-52		4	PCS	R65, 64, 59, 58	
I4000291	ELECTROLYTIC CAP. 330u 16V L-5 8X11.5		1	PCS	C1	
I3000418	CARBON FILM RESISTOR 4.7 1/2W J-52		1	PCS	R8	
I4000306	ELECTROLYTIC CAP. 4.7u 50V L-5 5X11		2	PCS	C19, 18	
I9000112	IC 7812		1	PCS	U1	
I3000122	CHIP RESISTOR 470 1/16W J 0805		1	PCS	R1	
I3000731	CHIP RESISTOR 47K 1/4W J(1206)		2	PCS	R4, 5	
I3000904	CARBON FILM RESISTOR 8.2K 1/2W J-52		2	PCS	R54, 55	
I7000035	TRANSISTOR 9014D-5 ($\beta > 500$)		2	PCS	Q3, 4	
I7000070	TRANSISTOR 772		1	PCS	Q6	
25000009	PINS CONNECTOR 2.0/2P		3	PCS	CN15, 14, 13	
25000014	PINS CONNECTOR 2.0/3P		1	PCS	CN12	
25000034	PINS CONNECTOR 2.0/5		1	PCS	CN2	
25000049	PINS CONNECTOR 2.0/8P		1	PCS	CN3	
25000025	PINS CONNECTOR 2.0/4P		1	PCS	CN1	
25000038	PINS CONNECTOR 2.5/5P		1	PCS	CN8	
I3000290	CARBON FILM RESISTOR 220 1/8W J-52		1	PCS	R72	
I3000877	CHIP RESISTOR 100K 1/4W J (1206)		1	PCS	R73	
I4000887	CAPACITOR 100u 350V		2	PCS	C6, C9	L06-008-011
I4000918	MYLAR CAPACITOR 104P 280V K		2	PCS	C12, 13	L06-008-011
I4000919	METALLIZED FILM CAP. 1u 250V J CBB22		2	PCS	C16, 17	L06-008-011
I4000892	ELE. CAPACITOR 1U 450V L-5		2	PCS	C15, 14	
I4000272	ELECTROLYTIC CAP. 2200u25V L 13X21		1	PCS	C2	
I4000256	ELECTROLYTIC CAP. 220u 16V L-5 6.3X11		3	PCS	C8, 33, 34	
I4000893	CERAMIC CAPACITOR 223P 1000V L		1	PCS	C5	
I3000124	CHIP RESISTOR 4.7K 1/16W J (0805)		1	PCS	R74	
I6000104	RECTIFIER DIODE 4001-52		2	PCS	D3, 2,	
I6000018	DIODE 4148-52		3	PCS	D1, 6, 5	
I3000883	CARBON FILM RESISTOR 47K 1/2W J-52		6	PCS	R51, 52, 24, 25, 27, 28	
I4000321	ELECTROLYTIC CAP. 47u 16V L-5 5X11		2	PCS	C20, 21	

16000068	ZENER DIODE 5.1V 1/2W-52	1	PCS	ZDI	
14000002	CERMIC CAP. 5p 50V±0.25p nipo	2	PCS	CI1, 10	
17000005	CHIP TRANSISTOR BC817-25	1	PCS	Q5	
16000235	RECTIFIER DIODE 4007-52	4	PCS	D7-10	
19000075	IC PT2309-S(L) SOP	1	PCS	U3	
18000034	MOSFET 12AX7	2	PCS	Q1, 2	
24000340	SOCKET GZC9-B(PCB)	2	PCS	Q1, 2	
24000353	HEADPHONE JACK Φ6.35 CK-6.35-6	1	PCS	JACK1	
35-MCD908-00A1	CASSETTE PCB MCD908 MCD908-00	1	PCS		
37000444	HEAT SINK 21X16X33	1	PCS		
38000223	SCREW 3 X 6 BT NICKEL-PLATE	2	PCS		
07-MCD908-08A101	ROT ENCODER PCB ASS'Y MCD908	1	SET		
35-MCD908-08A1	ENCODER PCB MCD908 MCD908-08	1	PCS		
30000001	ROT ENCODER ED-1612-00-F15 40-80G	1	PCS		
07-MCD908-09A101	OUTPUT PCB ASS'Y PH-MCD908	1	SET		
25000029	PINS CONNECTOR 2.5/4P	1	PCS	CN201	
24000288	4PINS SPEAKER SOCKET PST-410A/E	1	PCS	J201	S06-008-095
35-MCD908-09A1	OUTPUT PCB MCD908 MCD908-09	1	PCS		
07-MCD908-05A101	AMP UNIT LAMP PCB ASS'Y MCD908-12	2	SET		
13000135	CHIP RESISTOR 680 1/16W J (0805)	6	PCS	R501-503	
16000249	LED DIODE Φ3 ORANGE	6	PCS	LED501-503	
35-MCD908-05A1	LENS PCB MCD908 MCD098-05	2	PCS	MCD908-501, 502	
07-MCD908-12A101	HEADPHONE PCB ASS'Y MCD908	1	SET		
24000036	HEADPHONE JACK J3506B 3.5mm(SILVER)	1	PCS		
35-MCD908-12A1	HEADPHONE PCB MCD908 MCD098-12	1	PCS		
07-MCD908-17A101	PUSH KEY PCB ASS'Y MCD908	1	SET		
23000036	LIGHT TOUCH SW. 6X6X5 250g	1	PCS		
35-MCD908-17A1	KEY PCB MCD908 MCD908-17	1	PCS		
07-MCD908-13A101	LAMP PCB ASS'Y MCD908-13	6	SET		
13000833	CHIP RESISTOR 680 1/4W J (1206)	1	PCS	R1301	
16000035	LED DIODE Φ3 3B4SCB01 (BLUE)	1	PCS	LED1301	
35-MCD908-13A1	LENS PCB MCD908 MCD908-13	1	PCS		
08-MCD908-02A101	AMP UNIT CASING PARTS ASS'Y MCD908/12	1	SET		
37-MCD908-03A101	MCD908 AMP CAB. METAL BOTTOM	1	PCS		
37-MCD908-04A101	MCD908 AMP CABINET TOP (ALU.)	1	PCS		
37-MCD908-05A100	MCD908 AMP LAMP BRACKET (ALU.)	1	PCS		
37-MCD908-06A100	MCD908 AMP LAMP PALTE	1	PCS		
39-MCD908-20A101	MCD908 AMP CABINET FRONT ABS	1	PCS		
37-MCD908-08A100	MCD908 BRACKET (ALU.) DECK CIRCLE	2	PCS		
39-MCD908-03A101	MCD908 AMP CABINET FRONT LENS	1	PCS		
39-MCD908-21A101	MCD908 AMP SOURCE KNOB	1	PCS		

39-MCD908-22A100	MCD908 AMP SOURCE BRACKET ABS		1	PCS	
39-MCD908-13A101	MCD908 DVD TOP LAMP ABS		1	PCS	
39-MCD908-23A101	MCD908 AMP CABINET BOTTOM ABS		1	PCS	
39-MCD908-16A100	MCD908 SIDE PLATE-L ABS		1	PCS	
39-MCD908-17A100	MCD908 SIDE PLATE-R ABS		1	PCS	
39-MCD908-18A100	MCD908 PCB-L PMMA		1	PCS	
39-MCD908-19A100	MCD908 PCB-R PMMA		1	PCS	
40000262	MCD908 SIDE PLATE-L		1	PCS	
40000263	MCD908 SIDE PLATE-R		1	PCS	
39-MCD908-24A101	MCD908 VOL KNOB ABS		1	PCS	
32000244	MINI FAN RDM4010S DC12V/0.7A		1	PCS	
11000265	△TRANSFORMER 423D-12 230V/50		1	PCS	
24000039	△AC SOCKET 1A/250V (AC-001)		1	PCS	
33000012	FERRITE CORE JTH29X19X15		1	PCS	FIXING FERRITE CORE
36000190	BLACK SPONGE Φ32X2 40°		1	PCS	
36000279	MCD708PVC SHEET 59x57x0.3 AMP		1	PCS	ECO POWER SUPPLY PLATE X1
38000091	SCREW 2.6 X 5 P/MTT BLACK		8	PCS	PLASTIC CAB. BOTTOM
38000041	SCREW 3 X 10 FM NICKEL-PLATE Φ6		2	PCS	AC SOCKET
380000320	OUTSIDE HEXAGON GALVANIZED M3		2	PCS	AC SOCKET SCREW
380000273	SCREW 3 X 4 B/MTT NICKEL-PLATE		2	PCS	FERRITE CORE X2
380000113	SCREW 3 X 5 P/MTT SILVER		9	PCS	ECO POWER SUPPLY PLATE X2, AMP PCB X4,
380000117	SCREW 3 X 12 PA SILVER		3	PCS	AMP UNIT TERMINAL X3
380000654	SCREW 2.6 X 5 B/MTT NICKEL-PLATE		4	PCS	TOP LENS X2, ALM. BRACKET & STEEL SHEET X2
380000279	SCREW 3 X 6 B/MTT NICKEL-PLATE		4	PCS	TOP LENS X2, CAB. TOP & CAB. BOTTOM X2
380000071	SCREW 3 X 6 F/MTT Φ6 NICKEL-PLATE		2	PCS	CAB. TOP & BACK PLATE
380000489	SCREW 3 X 8 PA NICKEL-PLATE		8	PCS	L&R SIDE PLATE & WOOD BLOCK
380000243	SCREW 2.6 X 8 PT NICKEL-PLATE		8	PCS	ALM. BRACKET TO PANEL X4, GLISTEN STEEL X4
380000270	SCREW 2.6 X 6 B/MTT NICKEL-PLATE		4	PCS	CAB. METAL BOTTOM TO ALM. BRACKET X4
380000275	SCREW 3 X 5 B/MTT NICKEL-PLATE		4	PCS	CAB. METAL BOTTOM TO ALM. BRACKET X4
25002132	30WIRE 150 2P		4	PCS	
25002137	28WIRE 70 2.0/3PX2		1	PCS	
25002142	28WIRE 50 2.0/2PX2		1	PCS	
25002143	28WIRE 180 2.0/4PX1		1	PCS	
25002144	20WIRE+28WIRE 50 2.5/8PX2		1	PCS	
25002145	20WIRE 30 50 2.5/4PX2		1	PCS	
25002148	28WIRE+28WIRE 280 2.0/5PX2		1	PCS	
25002147	28WIRE 400 2.0/8PX2		1	PCS	
25001893	30WIRE 250 2.0/2PX1		4	PCS	
25002146	26WIRE 300 2.0/3PX2		1	PCS	
25002150	I8 DOUBLE INSULATION WIRE 400		1	PCS	
09-MCD908-03A101	SPEAKER BOX ASS'Y MCD908/12		2	SET	

24000182	SP. OUTPUT CLIP DJ-028D 92X80		1	PCS		
25000957	SPK CONNECTION WIRE 22 2P 250 RED/BLACK		3	PCS	LINK SUBWOOFER SPEAKER X2, LINK SPEAKER X1	
28000365	SPEAKER 5 1/4" 4Ω		1	PCS		
28000366	SPEAKER 28		1	PCS		
28000081	RIBBON TWEETER SPEAKER (GOLD)		1	PCS		
36000306	MCD700 GRILLE FIXER		4	PCS		
39000654	SCUTCHEON PHILIPS 29. 2X6		1	PCS		
37-MCD700-12A101	GRILLE FIX POS MCD700		4	PCS		
38000118	SCREW 3 X 16 PA Φ5 BLACK		4	PCS	SUBWOOFER SPEAKER	
38000208	SCREW 4 X 16 BA BLACK		4	PCS	SPEAKER WIRE NIP	
38000194	SCREW 3 X 12 BA BLACK		4	PCS	FREQUENCY DIVIDER	
38000415	SCREW 3X6 PA NICKEL-PLATE		4	PCS	SPEAKER	
39-MCD700-32A101	MCD700 DUMMY RIBBON COVER E56070		1	PCS		
39-MCD908-27A101	MCD908 PLASTIC GRILLE BLACK		1	PCS		
40000282	WOODEN BOX MCD908 204X330X238		1	PCS		
39-MCD700-32A101	MCD700 DUMMY RIBBON COVER E56070		1	PCS		
39-MCD908-25A101	MCD908 DECORATIVE LOOP		1	PCS		
39-MCD908-26A101	MCD908 PLASTIC SPEAKER		1	PCS		
39000346	PORT TUBE DJ-213 MCD703 SUB-WOOFER		1	PCS		
41002194	PAPER Φ57.5XΦ52.5X110 MCD703 SUB-WOOFER		1	PCS		
41002195	PAPER Φ52.5XΦ49.5X60 MCD703 SUB-WOOFER		1	PCS		
36000216	RUBBER FOOT MCD700 Φ12X8X7BLACK		4	PCS		
41003789	TISSUE BLOW MOLDING 65X46cm		1	PCS		
36000288	NYLON CABLE TIES 3X150		1	PCS	FREQUENCY DIVIDER	
27000139	SPEAKER CORDS 3M		1	PCS		
41003734	SPEAKER LABEL MCD908/12/05		1	PCS		
07-MCD908-25A101	FREQUENCY DIVIDER ASS'Y PH MCD908		1	SET		
I3000907	CEMENT RESISTOR 10 10W J		1	PCS	R1	
I5000141	FIXED INDUCTOR F22140(0.3mH/0.5mm)		1	PCS	L1	
I5000140	FIXED INDUCTOR F42450(0.3mH/0.6mm)		1	PCS	L2	
I4000916	ELECTROLYTIC CAPACITOR 4.7u 100V M SNP		1	PCS	C1	
I4000917	ELECTROLYTIC CAPACITOR 1.8u 100V M SNP		1	PCS	C2	
35-MCD908-25A1	FREQUENCY DIVIDER MCD908-25 67X42.1		1	PCS		
09-PRC507-01A101	REMOTE ASS'Y PRC507-01 MCD908/12/05		1	SET		
I4000876	CHIP CERAMIC CAP. 30P 50V J (0603) NPO		2	PCS	C2, 3	
I3000122	CHIP RESISTOR 470 1/16W J 0805		1	PCS	R1	
I3000065	CHIP RESISTOR 100 1/16W J (0805)		3	PCS	R2, 8, 10	
I3000062	CHIP RESISTOR 10 1/16W J (0805)		1	PCS	R3	
I3000067	CHIP RESISTOR 1K 1/16W J (0805)		5	PCS	R4-7, 11	
I6000226	LED DIODE 1206 BLUE		3	PCS	LED01-03	
I4000190	ELECTROLYTIC CAP. 100u 10V L 5X11		1	PCS	C1	

19000351	IC TM58PC20 CHIP		1	PCS	U1	
16000046	INFRARED-EMITTING DIODE Φ5		1	PCS	DI	
17000005	CHIP TRANSISTOR BC817-25		1	PCS	Q1	
17000004	CHIP TRANSISTOR 8050 (SOT-23)		3	PCS	Q2-Q4	
20000011	PLASTIC COATING FILTER 455KHZ		1	PCS	XT1	
35-PRC507-01A1	REMOTE PCB PRC507 163.3X37.7		1	PCS		
39-PRC507-01A100	PRC507 REMOTE CONTROL CABINET TOP		1	PCS		
39-PRC507-02A100	PRC507 CABINET BOTTOM BLACK		1	PCS		
39-PRC507-03A100	PRC507 REMOTE SENSOR LENS		1	PCS		
39-PRC507-04A100	PRC507 REMOTE BATTERY COVER		1	PCS		
39-PRC507-05A100	PRC507 CABINET BOTTOM MIDDLE GRAY		1	PCS		
37-PRC507-01A100	REMOTE FR. PANEL PRC507 METAL DOME PRC507		1	PCS		
36000896	SPRING SHEET PRC507		1	PCS		
36000897	CONDUCTIVE RUBBER PRC507		1	PCS		
37-PRC507-02A100	PRC507 REMOTE SPRING WIRE 3 in 1		1	SET		
36000898	CORIUM I24X84X1.2		1	PCS		
38000675	SCREW 2 X 6 BT BLACK		2	PCS	CAB. BACK	
38000674	SCREW 2 X 6 FT BLACK		4	PCS	PCB	
41003776	REMOTE BATTERY BOX LABEL PRC507-01		1	PCS		
09-MCD908-04A101	ACCESSORY PARTS ASS'Y MCD908/12		1	SET		
25000232	SINGLE JUMPER WIRE(26#) L=5.5m BLACK		1	PCS		
25001949	WIRE 1.5m		1	PCS		S06-008-083
25002140	WIRE 380 2.5/30		1	PCS		
26000016	△AC LINE CORD 1.8m VDE		1	PCS		
41003582	I. M PH MCD908/12 - A		1	PCS		
41003581	I. M PH MCD908/12 - B		1	PCS		
41003578	QUICK START GUIDE PH MCD908/12 DUT./LTA.		1	PCS		
41003579	QUICK START GUIDE PH MCD908/12 SPA./GER.		1	PCS		
41003580	QUICK START GUIDE PH MCD908/12 ENG./PAR.		1	PCS		
41002186	WARRANTY CARD PH 996500033498		1	PCS		
09-MCD908-05A101	PACKING PARTS ASS'Y MCD908/12		1	SET		
41003735	GIF BOX PH MCD908/12		1	PCS		